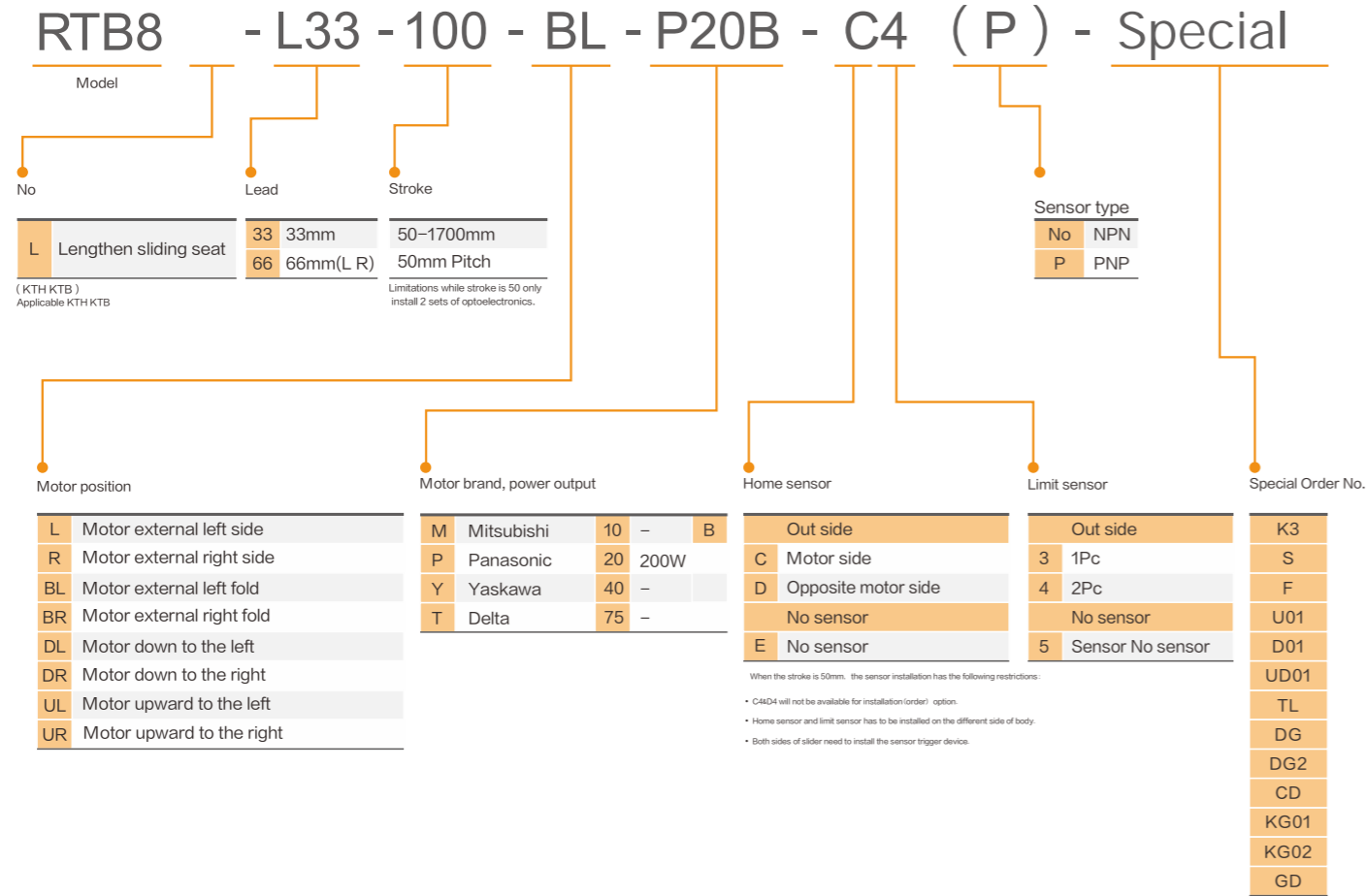


Timing belt module specification



Special Order No.

Refer to the table below

Name	Detailed information
K3	Module mounting with 3:1 reducer
S	Short sliding
F	Dust Cover
U01	Up installation hole customization
D01	Down installation hole customization
UD01	Both up and down installation hole customization
TL	Drag Chain
DG	Auxiliary Guide Rail on the Outside of module
DG2	Module Internal Replacement Guide Rail
CD	Module is driven shaft
KG01	Switch Mounting Plate, M2.5 Hole, Spacing 8
KG02	Long Switch Mounting Plate, Spacing 8
GD	Pull steel belt structure

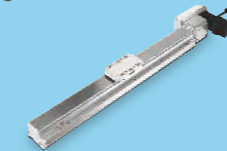
RTB Series

Built-in guideway / Belt Drive

CONTENTS

▶ Inline belt series

RTB5



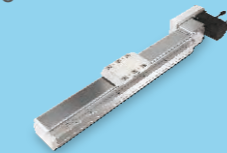
Maximum stroke 850mm
Maximum load 5kg
Body width 54mm

RTB12



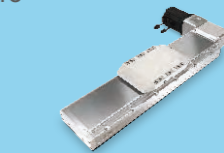
Maximum stroke 1750mm
Maximum load 25kg
Body width 120mm

RTB8



Maximum stroke 1750mm
Maximum load 15kg
Body width 82mm

RTB15



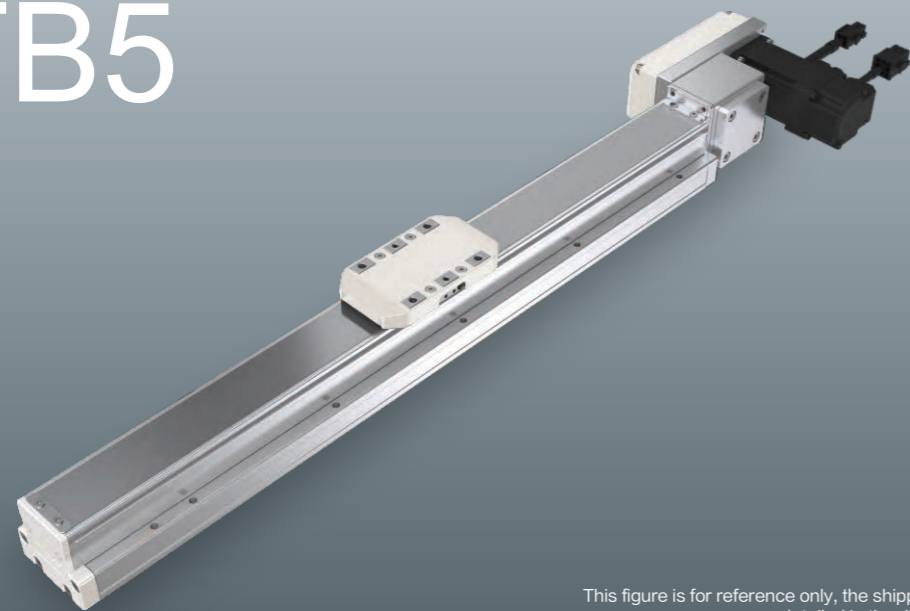
Maximum stroke 1750mm
Maximum load 45kg
Body width 155mm

- General/Inline/Screw sample
- ATH
- RTH
- General/Screw sample
- DG
- KTH
- General/Electric cylinder sample
- DMB
- EMB
- General/Inline/Belt sample
- RTB
- General/Belt sample
- DB
- KTB
- General/European/Belt sample
- MB
- Clean/Inline/Screw sample
- ACH
- RCH
- Clean/Screw sample
- KCH
- Clean/Inline/Belt sample
- RCB
- Clean/Belt sample
- KCB
- General/KKT/Screw sample
- KKT
- General/Rack and pinion sample
- GR
- General/Linear motor sample
- LM
- Reference

In-line belt series

RTB5

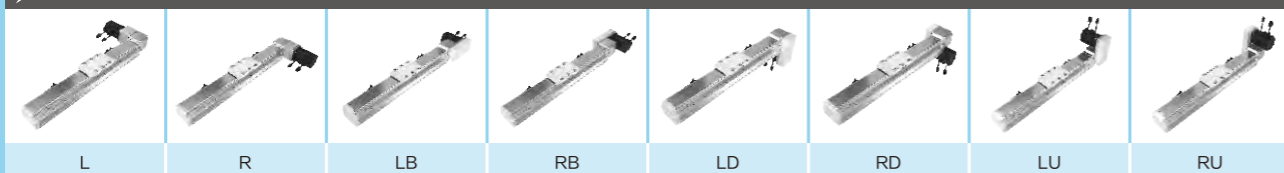
1-axis



This figure is for reference only, the shipping specifications are detailed in the dimension drawing.

Maximum stroke	850mm	Maximum speed	3000mm/s	Motor capacity	100W	Belt Width	15mm
----------------	--------------	---------------	-----------------	----------------	-------------	------------	-------------

▶ Motor diection



▶ Ordering method

RTB5 - L30 - 100 - LB - P10B - C4 - Special

Special Order No.

Model	Stroke	Lead	Motor brand, power output	Home sensor	Limit sensor
L30	100	30	M 05	Out side	Out side
LB	50mm Pitch	30mm	P 100W	C Motor side	3 1Pc
P10B	50mm Pitch	60mm	Y -	D Opposite motor side	4 2Pc
C4	Limitations while stroke is 50 only install 2 sets of optoelectronics.		T 40	No sensor	No sensor
Special				E No sensor	5 No sensor

Motor position: L Motor external left side, R Motor external right side, LB Motor external left fold, RB Motor external right fold, LD Motor down to the left, RD Motor down to the right, LU Motor upward to the left, RU Motor upward to the right.

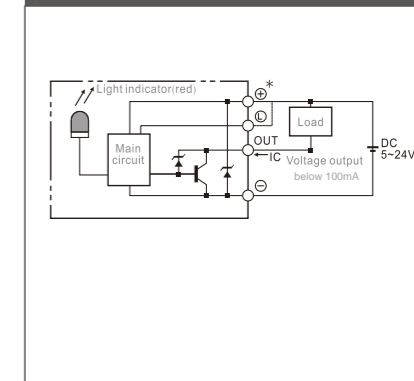
If no brake, no description.

When the stroke is 50mm, the sensor installation has the following restrictions:
 • Home sensor and limit sensor has to be installed on the different side of body.
 • Both sides of slider need to install the sensor trigger device.

▶ Specification

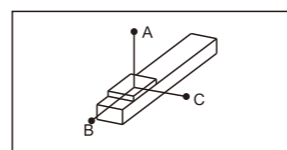
Spec	Repeatability	mm	± 0.04	
	Lead	mm	30/60	
	Maximum speed	mm/s	1500/3000	
	Maximum payload	Horizontal	kg	5
		Vertical	kg	
	Rated thrust	N	35	
	Stroke pitch	mm	50-850mm/50 pitch	
	AC Servo motor output	W	100	
	Belt width	mm	15	
	Home sensor	Outside	mm	EE-SX674(NPN)

▶ Sensor layout



◆ Acceleration and deacceleration value is set 0.4 second.

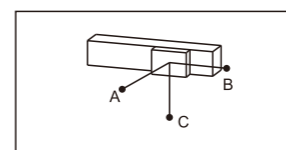
▶ Allowable overhang



(Unit:mm)

Horizontal Installation	A	B	C	
Lead 30/60	3kg	520	150	254
	5kg	250	80	65

▶ Static loading moment



(Unit:mm)

Wall Installation	A	B	C	
Lead 30/60	3kg	238	140	488
	5kg	85	100	310

▶ Static loading moment

(Unit:N.m)

MY	103
MP	103
MR	144

◆ The torque value in the chart indicate the center of gravity.
 ◆ Operation life is 10,000km when the product is using under the specified conditions.
 ◆ Data information is not for ceiling-mount inverse use. Contact us for the details if you want to apply ceiling-mount inverse usage.

▶ Suitable motor brand

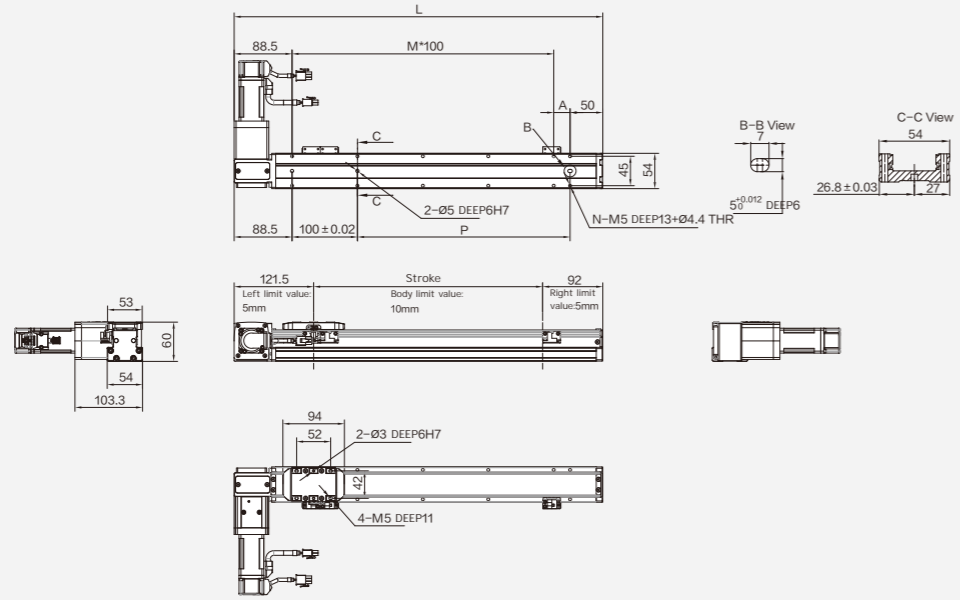
Brand	Mark	Brake	Watt	AC-Voltage	Motor model	Driver model
Mitsubishi	M	No brake(Horizontal type)	100	220	HG-KR13	MR-J4-10A
Panasonic	P	No brake(Horizontal type)	100	220	MSMD012G1U	MADHT1505
Delta	T	No brake(Horizontal type)	100	220	ECMA-C20404ES	ASD-B20121-B

RTB5 RTB8 RTB12 RTB15

Built-in guideway Belt Drive

Motor external left side / Motor external right side

RTB5



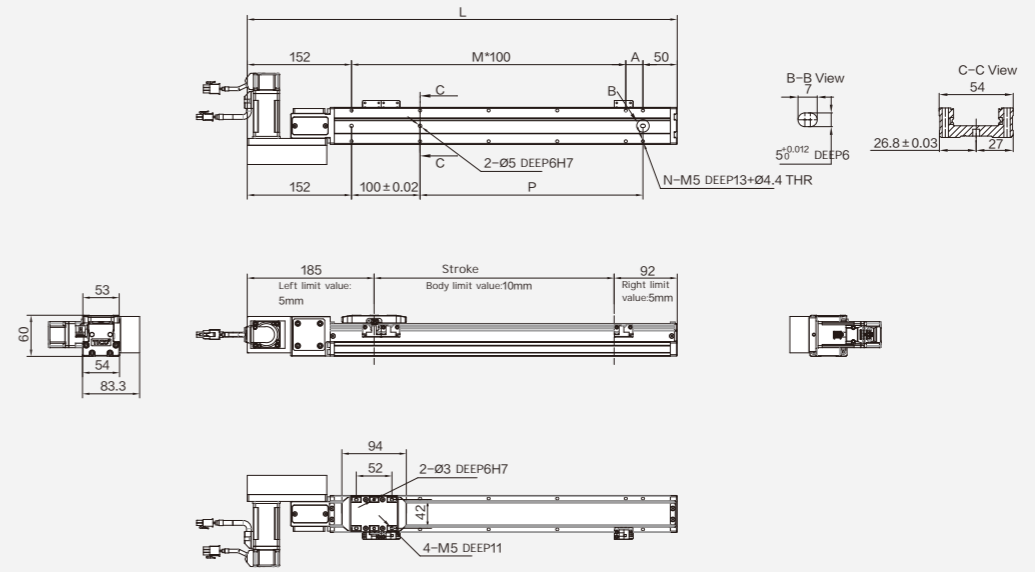
(Unit:mm)

Motor external left side	Stroke	Stroke																
		50	100	150	200	250	300	350	400	450	500	550	600	650	700	750	800	850
L		263.5	313.5	363.5	413.5	463.5	513.5	563.5	613.5	663.5	713.5	763.5	813.5	863.5	913.5	963.5	1013.5	1063.5
A		25	75	25	75	25	75	25	75	25	75	25	75	25	75	25	75	25
M		1	1	2	2	3	3	4	4	5	5	6	6	7	7	8	8	9
N		6	6	8	8	10	10	12	12	14	14	16	16	18	18	20	20	22
P		25	75	125	175	225	275	325	375	425	475	525	575	625	675	725	775	825
KG		2.39	2.59	2.79	2.99	3.18	3.38	3.58	3.77	3.97	4.17	4.36	4.56	4.76	4.95	5.15	5.35	5.55

RTB5 RTB8 RTB12 RTB15

Motor external left fold / Motor external right fold

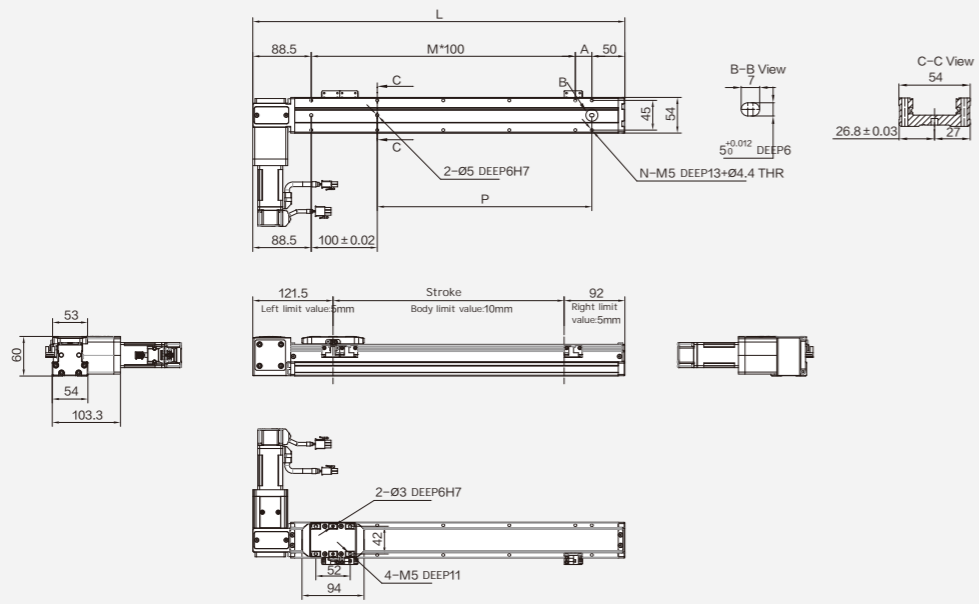
RTB5



(Unit:mm)

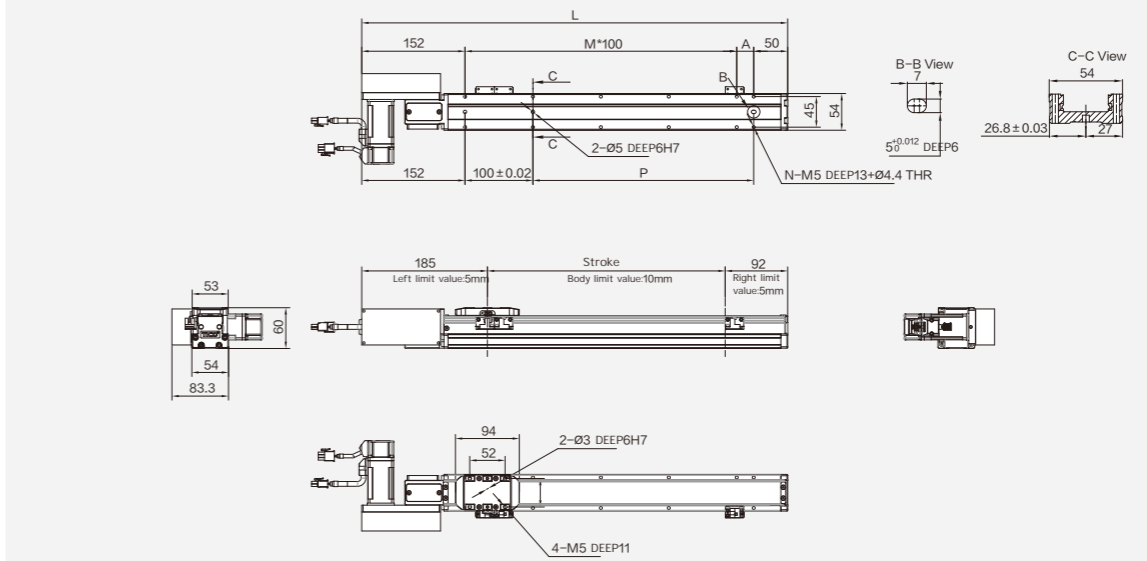
Motor external left fold	Stroke	Stroke																
		50	100	150	200	250	300	350	400	450	500	550	600	650	700	750	800	850
L		327	377	427	477	527	577	627	677	727	777	827	877	927	977	1027	1077	1127
A		25	75	25	75	25	75	25	75	25	75	25	75	25	75	25	75	25
M		1	1	2	2	3	3	4	4	5	5	6	6	7	7	8	8	9
N		6	6	8	8	10	10	12	12	14	14	16	16	18	18	20	20	22
P		25	75	125	175	225	275	325	375	425	475	525	575	625	675	725	775	825
KG		2.52	2.72	2.92	3.12	3.31	3.51	3.71	3.90	4.10	4.30	4.49	4.69	4.89	5.08	5.28	5.48	5.68

LB



(Unit:mm)

Motor external right side	Stroke	Stroke																
		50	100	150	200	250	300	350	400	450	500	550	600	650	700	750	800	850
L		263.5	313.5	363.5	413.5	463.5	513.5	563.5	613.5	663.5	713.5	763.5	813.5	863.5	913.5	963.5	1013.5	1063.5
A		25	75	25	75	25	75	25	75	25	75	25	75	25	75	25	75	25
M		1	1	2	2	3	3	4	4	5	5	6	6	7	7	8	8	9
N		6	6	8	8	10	10	12	12	14	14	16	16	18	18	20	20	22
P		25	75	125	175	225	275	325	375	425	475	525	575	625	675	725	775	825
KG		2.39	2.59	2.79	2.99	3.18	3.38	3.58	3.77	3.97	4.17	4.36	4.56	4.76	4.95	5.15	5.35	5.55



(Unit:mm)

Motor external right fold	Stroke	Stroke																
		50	100	150	200	250	300	350	400	450	500	550	600	650	700	750	800	850
L		327	377	427	477	527	577	627	677	727	777	827	877	927	977	1027	1077	1127
A		25	75	25	75	25	75	25	75	25	75	25	75	25	75	25	75	25
M		1	1	2	2	3	3	4	4	5	5	6	6	7	7	8	8	9
N		6	6	8	8	10	10	12	12	14	14	16	16	18	18	20	20	22
P		25	75	125	175	225	275	325	375	425	475	525	575	625	675	725	775	825
KG		2.52	2.72	2.92	3.12	3.31	3.51	3.71	3.90	4.10	4.30	4.49	4.69	4.89	5.08	5.28	5.48	5.68

RB

ATH3
ATH4
ATH5
ATH8
ATH12
ATH15
RTH4
RTH5
RTH8
RTH12
DG60
DG100
DG135
KTH13
KTH14
KTH17
KTH22
KTH27
DMB5
DMB10
DMB20
DMB30
DMB40
EMB5
EMB10
EMB20

RTB5

RTB8
RTB12
RTB15
DB100
DB135
KTB14M
KTB17M
KTB22M
MB65
MB80
MB110
ACH4
ACH5
ACH8
ACH12
ACH15
RCH4
RCH5
RCH8
RCH12
KCH14
KCH17
KCH22
RCB5
RCB8
RCB12
RCB15
KCB14
KCB17
KCB22
KKT50
KKT60
KKT86
GR14
GR17
GR22
LM80
LM140
LM170
LM210

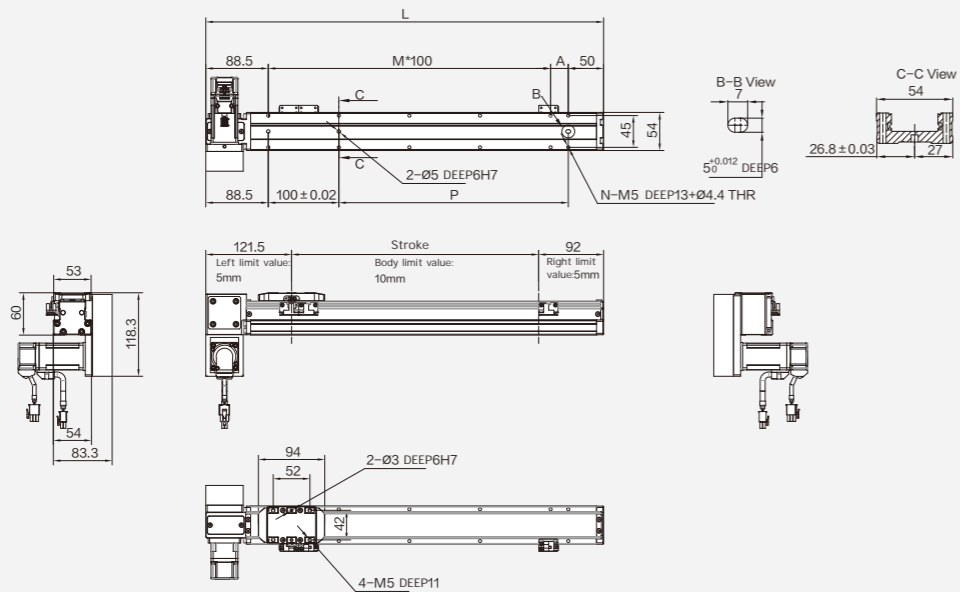
RD

RTB5 RTB8 RTB12 RTB15

Built-in guideway Belt Drive

Motor down to the left / Motor down to the right

RTB5



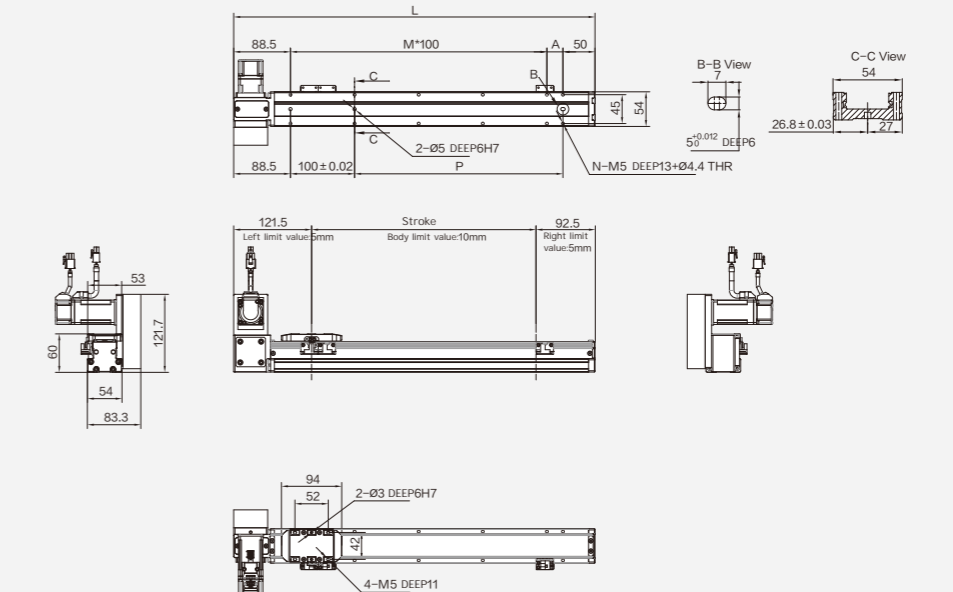
(Unit:mm)

Motor down to the left LD	Stroke	50	100	150	200	250	300	350	400	450	500	550	600	650	700	750	800	850
	L	263.5	313.5	363.5	413.5	463.5	513.5	563.5	613.5	663.5	713.5	763.5	813.5	863.5	913.5	963.5	1013.5	1063.5
	A	25	75	25	75	25	75	25	75	25	75	25	75	25	75	25	75	25
	M	1	1	2	2	3	3	4	4	5	5	6	6	7	7	8	8	9
	N	6	6	8	8	10	10	12	12	14	14	16	16	18	18	20	20	22
	P	25	75	125	175	225	275	325	375	425	475	525	575	625	675	725	775	825
	KG	2.52	2.72	2.92	3.12	3.31	3.51	3.71	3.90	4.10	4.30	4.49	4.69	4.89	5.08	5.28	5.48	5.68

RTB5 RTB8 RTB12 RTB15

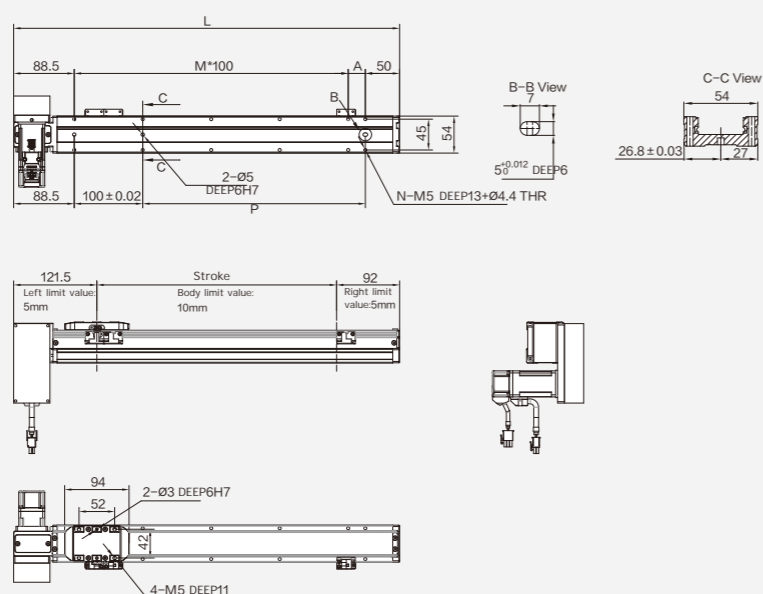
Motor upward to the left / Motor upward to the right

RTB5



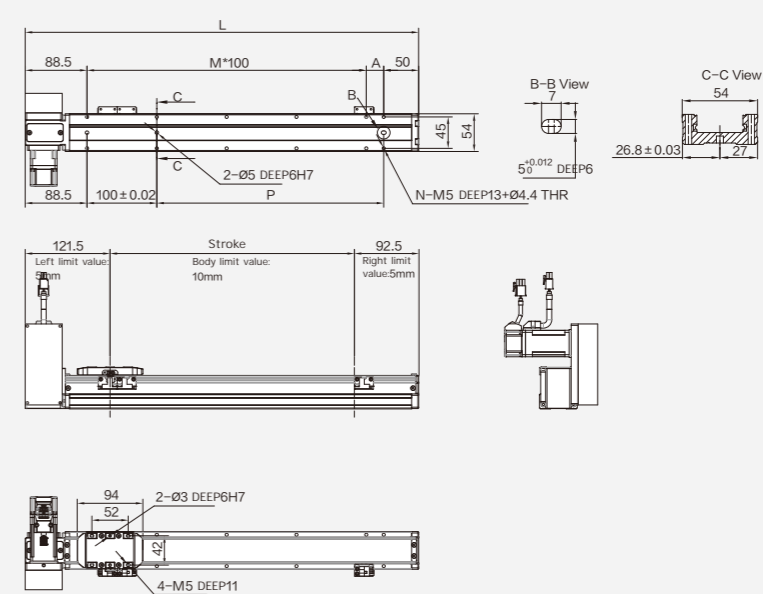
(Unit:mm)

Motor upward to the left LU	Stroke	50	100	150	200	250	300	350	400	450	500	550	600	650	700	750	800	850
	L	263.5	313.5	363.5	413.5	463.5	513.5	563.5	613.5	663.5	713.5	763.5	813.5	863.5	913.5	963.5	1013.5	1063.5
	A	25	75	25	75	25	75	25	75	25	75	25	75	25	75	25	75	25
	M	1	1	2	2	3	3	4	4	5	5	6	6	7	7	8	8	9
	N	6	6	8	8	10	10	12	12	14	14	16	16	18	18	20	20	22
	P	25	75	125	175	225	275	325	375	425	475	525	575	625	675	725	775	825
	KG	2.52	2.72	2.92	3.12	3.31	3.51	3.71	3.90	4.10	4.30	4.49	4.69	4.89	5.08	5.28	5.48	5.68



(Unit:mm)

Motor down to the right RD	Stroke	50	100	150	200	250	300	350	400	450	500	550	600	650	700	750	800	850
	L	263.5	313.5	363.5	413.5	463.5	513.5	563.5	613.5	663.5	713.5	763.5	813.5	863.5	913.5	963.5	1013.5	1063.5
	A	25	75	25	75	25	75	25	75	25	75	25	75	25	75	25	75	25
	M	1	1	2	2	3	3	4	4	5	5	6	6	7	7	8	8	9
	N	6	6	8	8	10	10	12	12	14	14	16	16	18	18	20	20	22
	P	25	75	125	175	225	275	325	375	425	475	525	575	625	675	725	775	825
	KG	2.52	2.72	2.92	3.12	3.31	3.51	3.71	3.90	4.10	4.30	4.49	4.69	4.89	5.08	5.28	5.48	5.68



(Unit:mm)

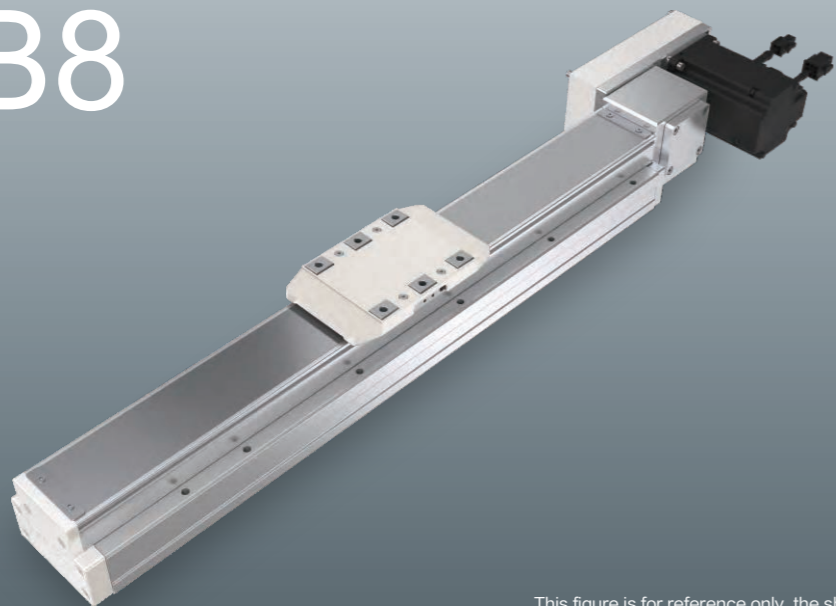
Motor upward to the right RU	Stroke	50	100	150	200	250	300	350	400	450	500	550	600	650	700	750	800	850
	L	263.5	313.5	363.5	413.5	463.5	513.5	563.5	613.5	663.5	713.5	763.5	813.5	863.5	913.5	963.5	1013.5	1063.5
	A	25	75	25	75	25	75	25	75	25	75	25	75	25	75	25	75	25
	M	1	1	2	2	3	3	4	4	5	5	6	6	7	7	8	8	9
	N	6	6	8	8	10	10	12	12	14	14	16	16	18	18	20	20	22
	P	25	75	125	175	225	275	325	375	425	475	525	575	625	675	725	775	825
	KG	2.52	2.72	2.92	3.12	3.31	3.51	3.71	3.90	4.10	4.30	4.49	4.69	4.89	5.08	5.28	5.48	5.68

General/ In-line/ Screw sample
ATH
RTH
General/ Screw sample
DG
KTH
General/ Electric cylinder sample
DMB
EMB
General/ In-line/ Belt sample
RTB
General/ Belt sample
DB
KTB
General/ European/ Belt sample
MB
無塵/内嵌/ 螺絲仕様
Clean/ In-line/ Screw sample
ACH
RCH
Clean/ Screw sample
KCH
Clean/ In-line/ Belt sample
RCB
Clean/ Belt sample
KCB
General/ KKT/ Screw sample
KKT
General/ Rack and pinion sample
LM
Reference

In-line belt series

RTB8

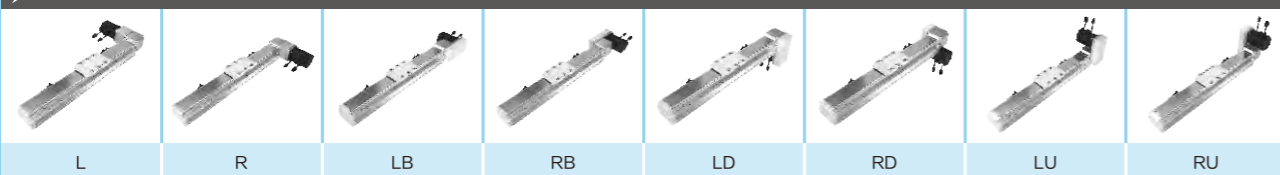
1-axis



This figure is for reference only, the shipping specifications are detailed in the dimension drawing.

Maximum stroke	1750mm	Maximum speed	3300mm/s	Motor capacity	200W	Belt Width	20mm
----------------	--------	---------------	----------	----------------	------	------------	------

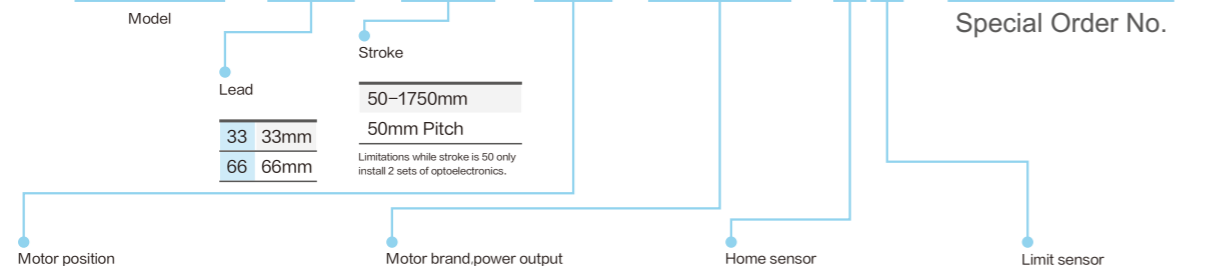
Motor diection



Ordering method

RTB8 - L33 - 100 - LB - P20B - C4 - Special

Special Order No.



L Motor external left side	M Mitsubishi 10 - B	Out side	Out side
R Motor external right side	P Panasonic 20 200W	C Motor side	3 1Pc
LB Motor external left fold	Y Yaskawa 40 -	D Opposite motor side	4 2Pc
RB Motor external right fold	T Delta 75 -	No sensor	No sensor
LD Motor down to the left	<small>If no brake, no description.</small>	E No sensor	5 No sensor
RD Motor down to the right			
LU Motor upward to the left			
RU Motor upward to the right			

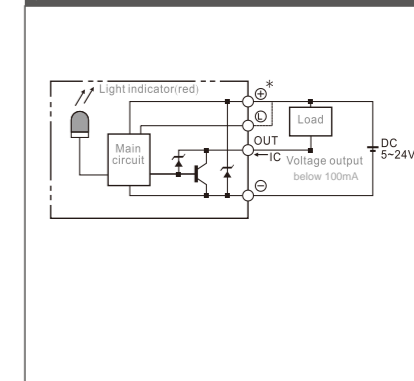
When the stroke is 50mm, the sensor installation has the following restrictions:
 • Home sensor and limit sensor has to be installed on the different side of body.
 • Both sides of slider need to install the sensor trigger device.

Specification

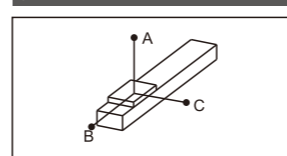
Spec	Repeatability	mm	± 0.04	
	Lead	mm	33/66	
	Maximum speed	mm/s	1650/3300	
	Maximum payload	Horizontal	kg	15
		Vertical	kg	
	Rated thrust	N	65	
	Stroke pitch	mm	50-1750mm/50 pitch	
	AC Servo motor output	W	200	
	Belt width	mm	20	
	Home sensor	Outside	mm	EE-SX674(NPN)

* Acceleration and deceleration value is set 0.4 second.

Sensor layout



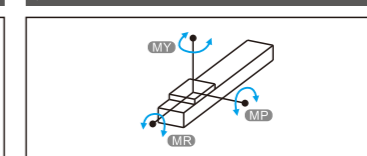
Allowable overhang



(Unit:mm)

Horizontal Installation	A	B	C	
Lead 33/66	5kg	1794	688	538
	10kg	858	324	253
	15kg	670	251	197

Static loading moment



(Unit:N.m)

MY	318
MP	318
MR	626

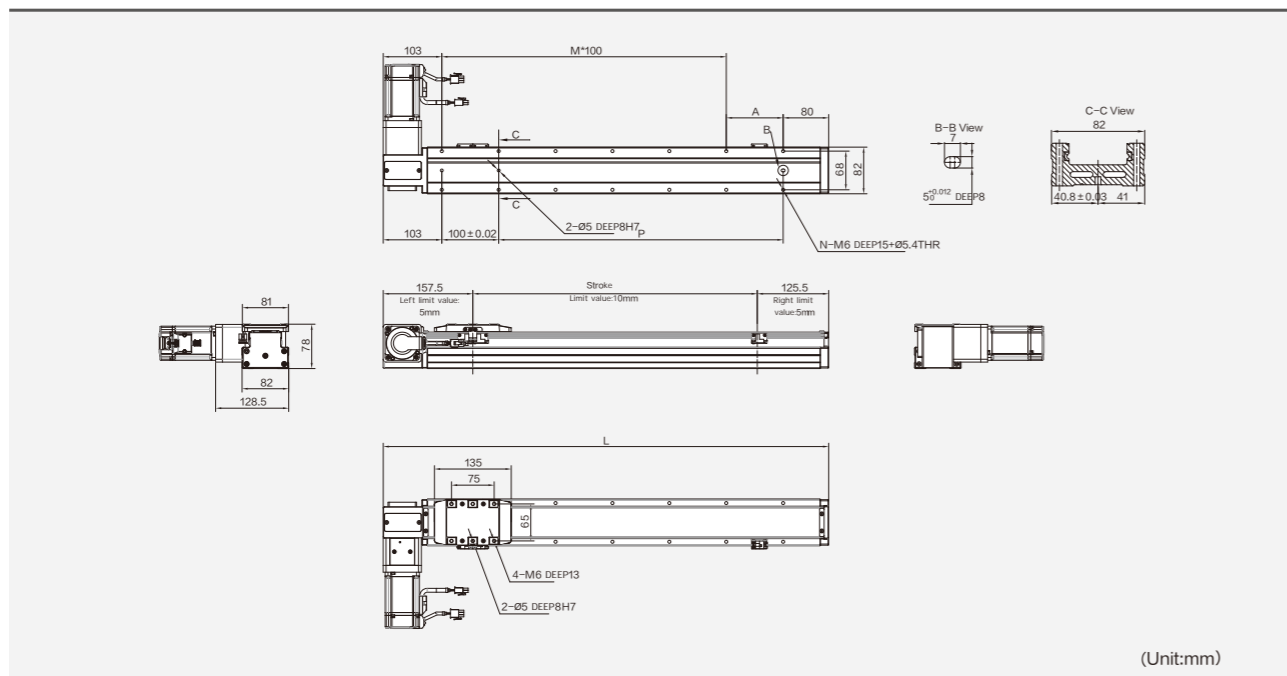
* The torque value in the chart indicate the center of gravity.
 * Operation life is 10,000km when the product is using under the specified conditions.
 * Data information is not for ceiling-mount inverse use. Contact us for the details if you want to apply ceiling-mount inverse usage.

Suitable motor brand

Brand	Mark	Brake	Watt	AC-Voltage	Motor model	Driver model
Mitsubishi	M	No brake(Horizontal type)	200	220	HG-KR23	MR-J4-20A
Panasonic	P	No brake(Horizontal type)	200	220	MHMD022P1S	MADHT1207
Delta	T	No brake(Horizontal type)	200	220	ECMA-C20602ES	ASD-B20221-B

Motor external left side

RTB8



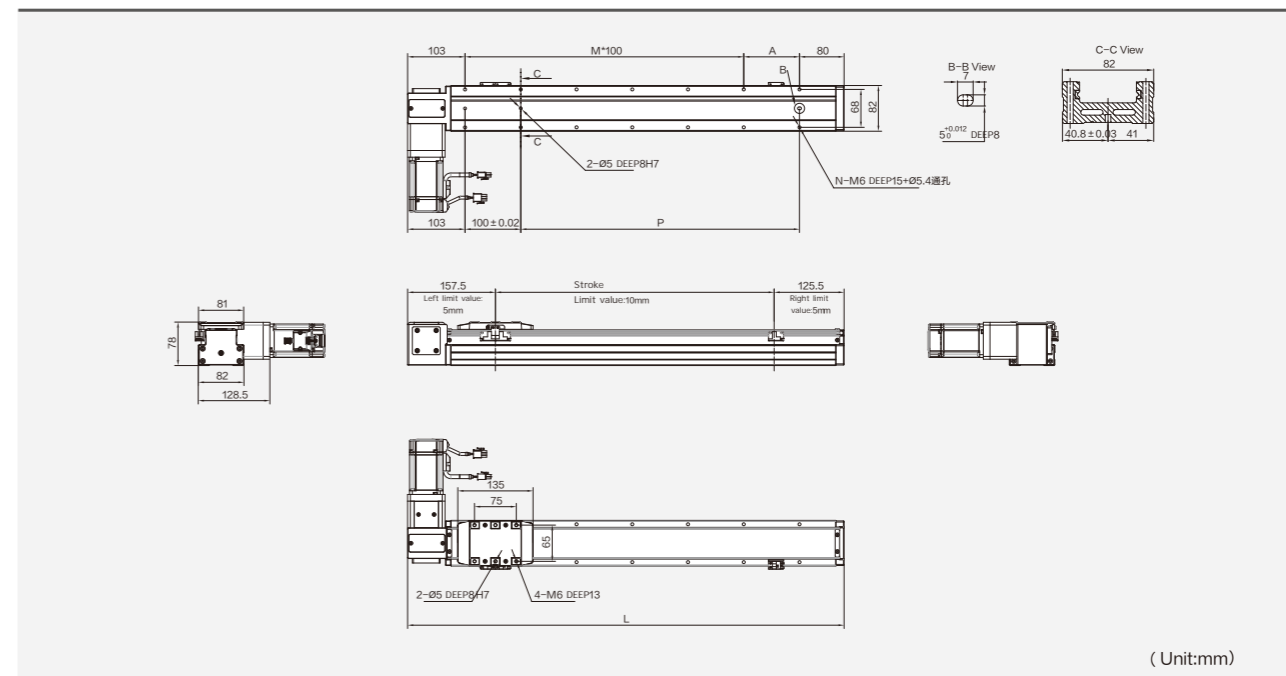
(Unit:mm)

Motor external left side	Stroke	50	100	150	200	250	300	350	400	450	500	550	600	650	700	750	800	850	900	
	L	333	383	433	483	533	583	633	683	733	783	833	883	933	983	1033	1083	1133	1183	
A	50	100	50	100	50	100	50	100	50	100	50	100	50	100	50	100	50	100	50	100
M	1	1	2	2	3	3	4	4	5	5	6	6	7	7	8	8	9	9		
N	6	6	8	8	10	10	12	12	14	14	16	16	18	18	20	20	22	22		
P	50	100	150	200	250	300	350	400	450	500	550	600	650	700	750	800	850	900		
KG	4	4.3	4.6	4.9	5.2	5.5	5.8	6.1	6.4	6.7	7	7.3	7.6	7.9	8.2	8.5	8.8	9.1		

Motor external left side	Stroke	950	1000	1050	1100	1150	1200	1250	1300	1350	1400	1450	1500	1550	1600	1650	1700	1750	
	L	1233	1283	1333	1383	1433	1483	1533	1583	1633	1683	1733	1783	1833	1883	1933	1983	2033	
A	50	100	50	100	50	100	50	100	50	100	50	100	50	100	50	100	50	100	50
M	10	10	11	11	12	12	13	13	14	14	15	15	16	16	17	17	18		
N	24	24	26	26	28	28	30	30	32	32	34	34	36	36	38	38	40		
P	950	1000	1050	1100	1150	1200	1250	1300	1350	1400	1450	1500	1550	1600	1650	1700	1750		
KG	9.4	9.7	10	10.3	10.6	10.9	11.2	11.5	11.8	12.1	12.4	12.7	13	13.3	13.6	13.9	14.2		

Motor external right side

RTB8



(Unit:mm)

Motor external right side	Stroke	50	100	150	200	250	300	350	400	450	500	550	600	650	700	750	800	850	900
	L	333	383	433	483	533	583	633	683	733	783	833	883	933	983	1033	1083	1133	1183
A	50	100	50	100	50	100	50	100	50	100	50	100	50	100	50	100	50	100	50
M	1	1	2	2	3	3	4	4	5	5	6	6	7	7	8	8	9	9	
N	6	6	8	8	10	10	12	12	14	14	16	16	18	18	20	20	22	22	
P	50	100	150	200	250	300	350	400	450	500	550	600	650	700	750	800	850	900	
KG	4	4.3	4.6	4.9	5.2	5.5	5.8	6.1	6.4	6.7	7	7.3	7.6	7.9	8.2	8.5	8.8	9.1	

Motor external right side	Stroke	950	1000	1050	1100	1150	1200	1250	1300	1350	1400	1450	1500	1550	1600	1650	1700	1750	
	L	1233	1283	1333	1383	1433	1483	1533	1583	1633	1683	1733	1783	1833	1883	1933	1983	2033	
A	50	100	50	100	50	100	50	100	50	100	50	100	50	100	50	100	50	100	50
M	10	10	11	11	12	12	13	13	14	14	15	15	16	16	17	17	18		
N	24	24	26	26	28	28	30	30	32	32	34	34	36	36	38	38	40		
P	950	1000	1050	1100	1150	1200	1250	1300	1350	1400	1450	1500	1550	1600	1650	1700	1750		
KG	9.4	9.7	10	10.3	10.6	10.9	11.2	11.5	11.8	12.1	12.4	12.7	13	13.3	13.6	13.9	14.2		

ATH3
ATH4
ATH5
ATH8
ATH12
ATH15
RTH4
RTH5
RTH8
RTH12
DG60
DG100
DG135
KTH13
KTH14
KTH17
KTH22
KTH27
DMB5
DMB10
DMB20
DMB30
DMB40
EMB5
EMB10
EMB20
RTB5

RTB8

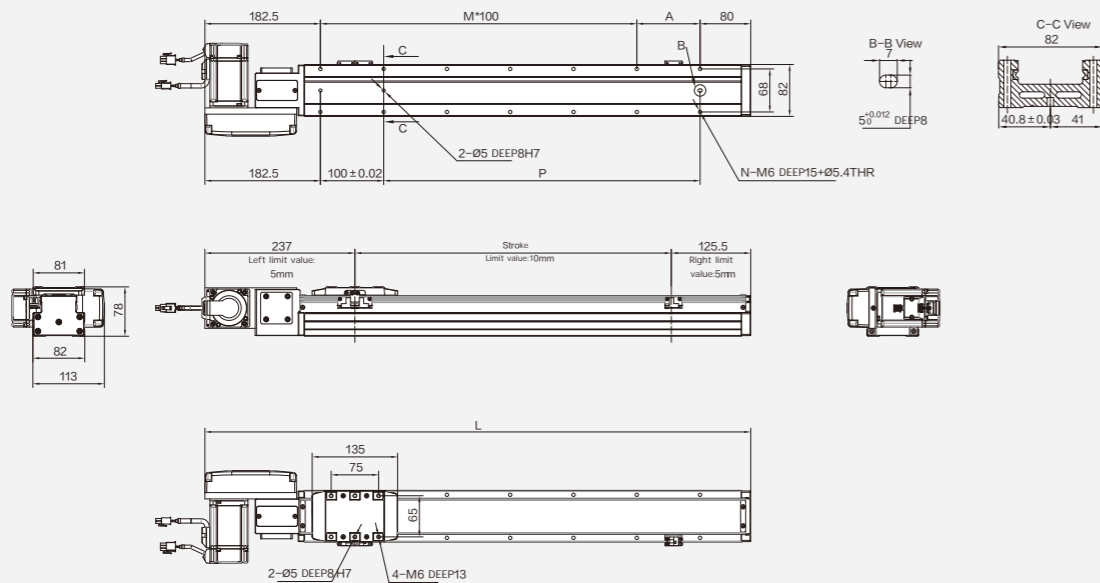
RTB12
RTB15
DB100
DB135
KTB14M
KTB17M
KTB22M

MB5
MB80
MB110
ACH4
ACH5
ACH8
ACH12
ACH15
RCH4
RCH5
RCH8
RCH12
KCH14
KCH17
KCH22
RCB5
RCB8
RCB12
RCB15
KCB14
KCB17
KCB22
KKT50
KKT60
KKT86
GR14
GR17
GR22
LM80
LM140
LM170
LM210

General/ In-line/ Screw sample
ATH
RTH
General/ Screw sample
DG
KTH
General/ Electric cylinder sample
DMB
EMB
General/ In-line/ Belt sample
RTB
General/ Belt sample
DB
KTB
General/ European/ Belt sample
MB
Clean/ In-line/ Screw sample
ACH
RCH
Clean/ Screw sample
KCH
Clean/ In-line/ Belt sample
RCB
Clean/ Belt sample
KCB
General/ KKT/ Screw sample
KKT
General/ Rack and pinion sample
GR
General/ Linear motor sample
LM
Reference

Motor external left fold

RTB8



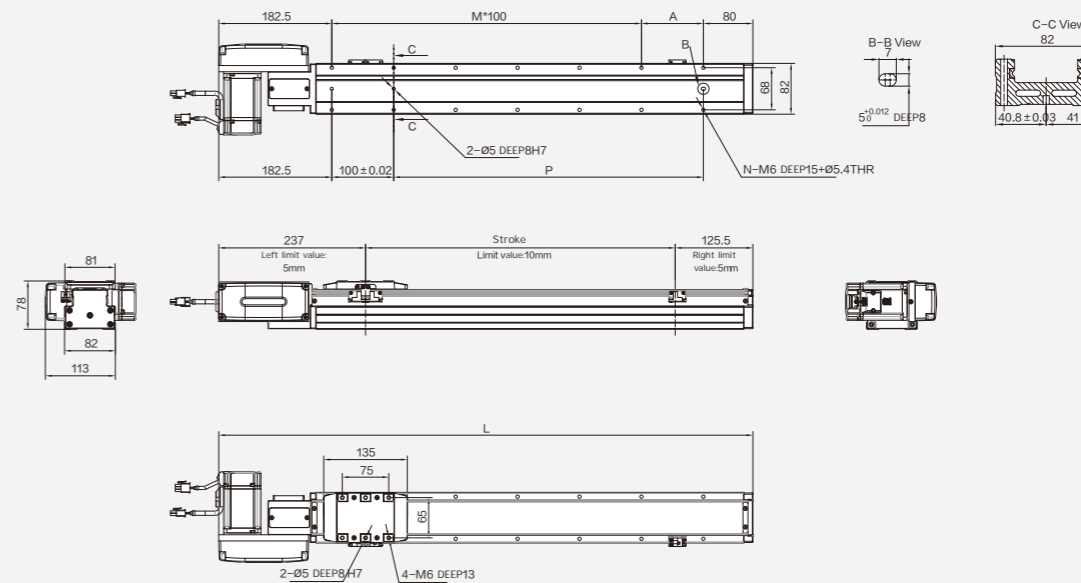
(Unit:mm)

Motor external left fold	Stroke	50	100	150	200	250	300	350	400	450	500	550	600	650	700	750	800	850	900	
	L	412.5	462.5	512.5	562.5	612.5	662.5	712.5	762.5	812.5	862.5	912.5	962.5	1012.5	1062.5	1112.5	1162.5	1212.5	1262.5	
A	50	100	50	100	50	100	50	100	50	100	50	100	50	100	50	100	50	100	50	100
M	1	1	2	2	3	3	4	4	5	5	6	6	7	7	8	8	9	9		
N	6	6	8	8	10	10	12	12	14	14	16	16	18	18	20	20	22	22		
P	50	100	150	200	250	300	350	400	450	500	550	600	650	700	750	800	850	900		
KG	4.2	4.5	4.8	5.1	5.4	5.7	6	6.3	6.6	6.9	7.2	7.5	7.8	8.1	8.4	8.7	9	9.3		

Motor external left fold	Stroke	950	1000	1050	1100	1150	1200	1250	1300	1350	1400	1450	1500	1550	1600	1650	1700	1750		
	L	1312.5	1362.5	1412.5	1462.5	1512.5	1562.5	1612.5	1662.5	1712.5	1762.5	1812.5	1862.5	1912.5	1962.5	2012.5	2062.5	2112.5		
A	50	100	50	100	50	100	50	100	50	100	50	100	50	100	50	100	50	100	50	100
M	10	10	11	11	12	12	13	13	14	14	15	15	16	16	17	17	18			
N	24	24	26	26	28	28	30	30	32	32	34	34	36	36	38	38	40			
P	950	1000	1050	1100	1150	1200	1250	1300	1350	1400	1450	1500	1550	1600	1650	1700	1750			
KG	9.6	9.9	10.2	10.5	10.8	11.1	11.4	11.7	12	12.3	12.6	12.9	13.2	13.5	13.8	14.1	14.4			

Motor external right fold

RTB8



(Unit:mm)

Motor external right fold	Stroke	50	100	150	200	250	300	350	400	450	500	550	600	650	700	750	800	850	900	
	L	412.5	462.5	512.5	562.5	612.5	662.5	712.5	762.5	812.5	862.5	912.5	962.5	1012.5	1062.5	1112.5	1162.5	1212.5	1262.5	
A	50	100	50	100	50	100	50	100	50	100	50	100	50	100	50	100	50	100	50	100
M	1	1	2	2	3	3	4	4	5	5	6	6	7	7	8	8	9	9		
N	6	6	8	8	10	10	12	12	14	14	16	16	18	18	20	20	22	22		
P	50	100	150	200	250	300	350	400	450	500	550	600	650	700	750	800	850	900		
KG	4.2	4.5	4.8	5.1	5.4	5.7	6	6.3	6.6	6.9	7.2	7.5	7.8	8.1	8.4	8.7	9	9.3		

Motor external right fold	Stroke	950	1000	1050	1100	1150	1200	1250	1300	1350	1400	1450	1500	1550	1600	1650	1700	1750		
	L	1312.5	1362.5	1412.5	1462.5	1512.5	1562.5	1612.5	1662.5	1712.5	1762.5	1812.5	1862.5	1912.5	1962.5	2012.5	2062.5	2112.5		
A	50	100	50	100	50	100	50	100	50	100	50	100	50	100	50	100	50	100	50	100
M	10	10	11	11	12	12	13	13	14	14	15	15	16	16	17	17	18			
N	24	24	26	26	28	28	30	30	32	32	34	34	36	36	38	38	40			
P	950	1000	1050	1100	1150	1200	1250	1300	1350	1400	1450	1500	1550	1600	1650	1700	1750			
KG	9.6	9.9	10.2	10.5	10.8	11.1	11.4	11.7	12	12.3	12.6	12.9	13.2	13.5	13.8	14.1	14.4			

ATH3
ATH4
ATH5
ATH8
ATH12
ATH15
RTH4
RTH5
RTH8
RTH12
DG60
DG100
DG135
KTH13
KTH14
KTH17
KTH22
KTH27
DMB5
DMB10
DMB20
DMB30
DMB40
EMB5
EMB10
EMB20
RTB5

RTB8

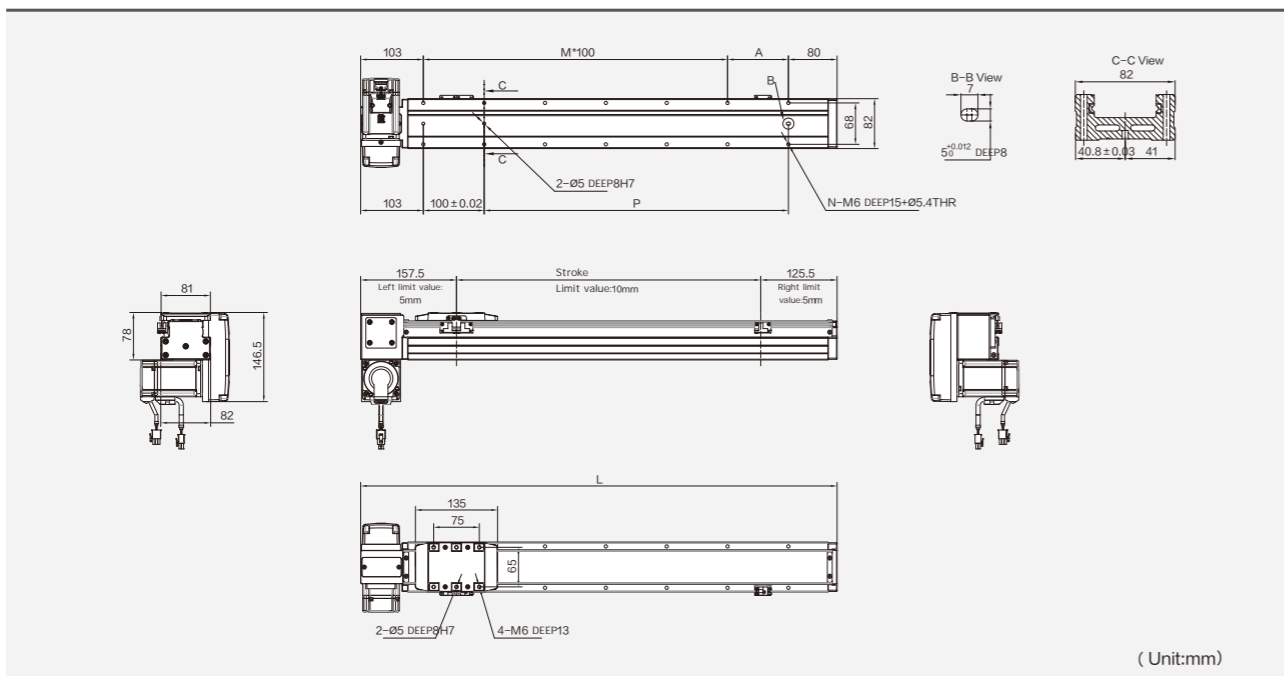
RTB12
RTB15
DB100
DB135
KTB14M
KTB17M
KTB22M

MB5
MB80
MB110
ACH4
ACH5
ACH8
ACH12
ACH15
RCH4
RCH5
RCH8
RCH12
KCH14
KCH17
KCH22
RCB5
RCB8
RCB12
RCB15
KCB14
KCB17
KCB22
KKT50
KKT60
KKT86
GR14
GR17
GR22
LM80
LM140
LM170
LM210

General/
In-line/
Screw sample
ATH
RTH
General/
Screw sample
DG
KTH
General/
Electric cylinder
sample
DMB
EMB
General/In-line/
Belt sample
RTB
General/
Belt sample
DB
KTB
General/
European/Belt
sample
MB
Clean/In-line/
Screw sample
ACH
RCH
Clean/
Screw sample
KCH
Clean/In-line/
Belt sample
RCB
Clean/
Belt sample
KCB
General/KKT/
Screw sample
KKT
General/
Rack and
pinion sample
GR
General/
Linear motor
sample
LM
Reference

Motor down to the left

RTB8



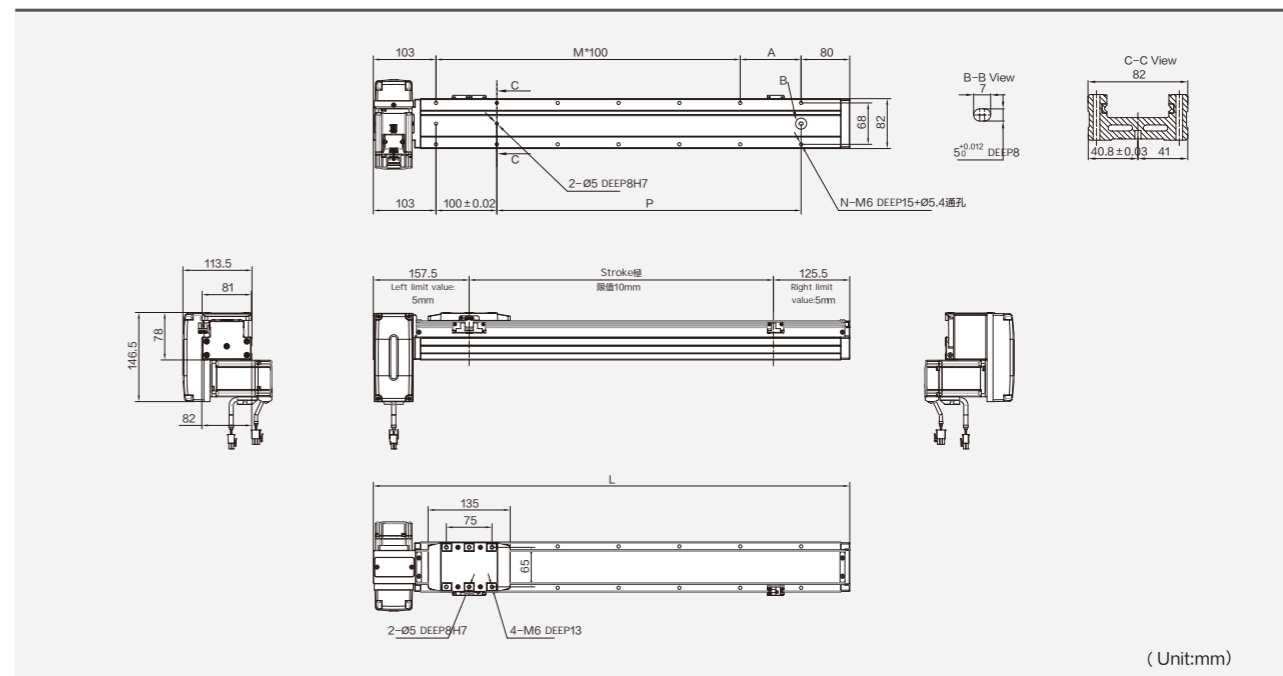
(Unit:mm)

Motor down to the left LD	Stroke	50	100	150	200	250	300	350	400	450	500	550	600	650	700	750	800	850	900	
	L	333	383	433	483	533	583	633	683	733	783	833	883	933	983	1033	1083	1133	1183	
	A	50	100	50	100	50	100	50	100	50	100	50	100	50	100	50	100	50	100	50
	M	1	1	2	2	3	3	4	4	5	5	6	6	7	7	8	8	9	9	9
	N	6	6	8	8	10	10	12	12	14	14	16	16	18	18	20	20	22	22	22
	P	50	100	150	200	250	300	350	400	450	500	550	600	650	700	750	800	850	900	900
	KG	4.2	4.5	4.8	5.1	5.4	5.7	6	6.3	6.6	6.9	7.2	7.5	7.8	8.1	8.4	8.7	9	9.3	9.3

Motor down to the left LD	Stroke	950	1000	1050	1100	1150	1200	1250	1300	1350	1400	1450	1500	1550	1600	1650	1700	1750	
	L	1233	1283	1333	1383	1433	1483	1533	1583	1633	1683	1733	1783	1833	1883	1933	1983	2033	
	A	50	100	50	100	50	100	50	100	50	100	50	100	50	100	50	100	50	
	M	10	10	11	11	12	12	13	13	14	14	15	15	16	16	17	17	18	
	N	24	24	26	26	28	28	30	30	32	32	34	34	36	36	38	38	40	
	P	950	1000	1050	1100	1150	1200	1250	1300	1350	1400	1450	1500	1550	1600	1650	1700	1750	
	KG	9.6	9.9	10.2	10.5	10.8	11.1	11.4	11.7	12	12.3	12.6	12.9	13.2	13.5	13.8	14.1	14.4	

Motor down to the right

RTB8



(Unit:mm)

Motor down to the right RD	Stroke	50	100	150	200	250	300	350	400	450	500	550	600	650	700	750	800	850	900	
	L	333	383	433	483	533	583	633	683	733	783	833	883	933	983	1033	1083	1133	1183	
	A	50	100	50	100	50	100	50	100	50	100	50	100	50	100	50	100	50	100	100
	M	1	1	2	2	3	3	4	4	5	5	6	6	7	7	8	8	9	9	9
	N	6	6	8	8	10	10	12	12	14	14	16	16	18	18	20	20	22	22	22
	P	50	100	150	200	250	300	350	400	450	500	550	600	650	700	750	800	850	900	900
	KG	4.2	4.5	4.8	5.1	5.4	5.7	6	6.3	6.6	6.9	7.2	7.5	7.8	8.1	8.4	8.7	9	9.3	9.3

Motor down to the right RD	Stroke	950	1000	1050	1100	1150	1200	1250	1300	1350	1400	1450	1500	1550	1600	1650	1700	1750	
	L	1233	1283	1333	1383	1433	1483	1533	1583	1633	1683	1733	1783	1833	1883	1933	1983	2033	
	A	50	100	50	100	50	100	50	100	50	100	50	100	50	100	50	100	50	
	M	10	10	11	11	12	12	13	13	14	14	15	15	16	16	17	17	18	
	N	24	24	26	26	28	28	30	30	32	32	34	34	36	36	38	38	40	
	P	950	1000	1050	1100	1150	1200	1250	1300	1350	1400	1450	1500	1550	1600	1650	1700	1750	
	KG	9.6	9.9	10.2	10.5	10.8	11.1	11.4	11.7	12	12.3	12.6	12.9	13.2	13.5	13.8	14.1	14.4	

RTB8

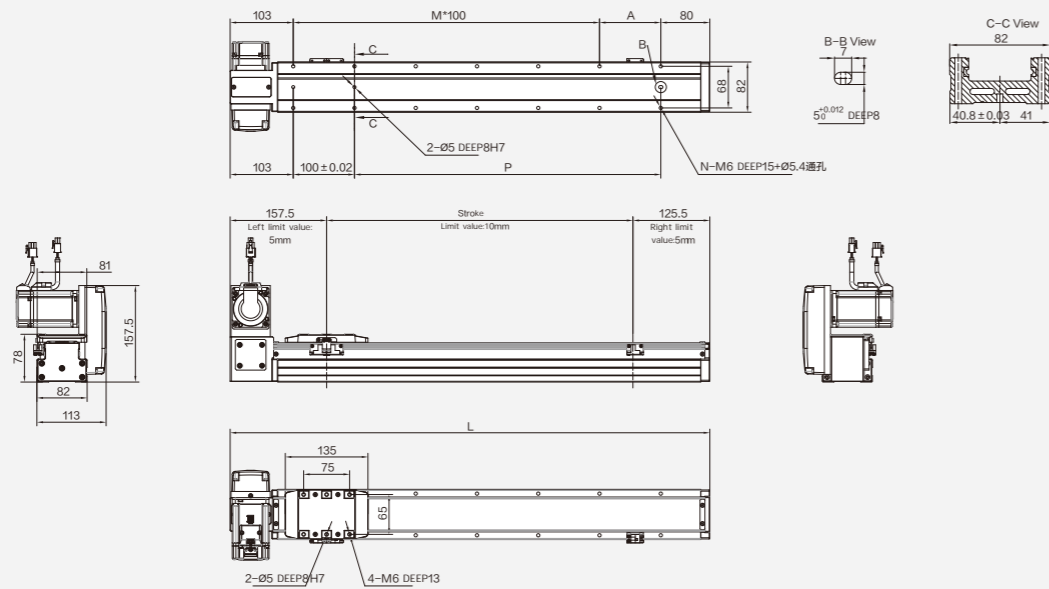
ATH3
ATH4
ATH5
ATH8
ATH12
ATH15
RTH4
RTH5
RTH8
RTH12
DG60
DG100
DG135
KTH13
KTH14
KTH17
KTH22
KTH27
DMB5
DMB10
DMB20
DMB30
DMB40
EMB5
EMB10
EMB20
RTB5

RTB12
RTB15
DB100
DB135
KTB14M
KTB17M
KTB22M
MB5
MB80
MB110
ACH4
ACH5
ACH8
ACH12
ACH15
RCH4
RCH5
RCH8
RCH12
KCH14
KCH17
KCH22
RCB5
RCB8
RCB12
RCB15
KCB14
KCB17
KCB22
KKT50
KKT60
KKT86
GR14
GR17
GR22
LM80
LM140
LM170
LM210

General/
Inline/
Screw sample
ATH
RTH
General/
Screw sample
DG
KTH
General/
Electric cylinder
sample
DMB
EMB
General/Inline
/Belt sample
RTB
General/
Belt sample
DB
KTB
General/
European/Belt
sample
MB
Clean/Inline/
Screw sample
ACH
RCH
Clean/
Screw sample
KCH
Clean/Inline/
Belt sample
RCB
Clean/
Belt sample
KCB
General/KKT/
Screw sample
KKT
General/
Rack and
pinion sample
GR
General/
Linear motor
sample
LM
Reference

Motor upward to the left

RTB8



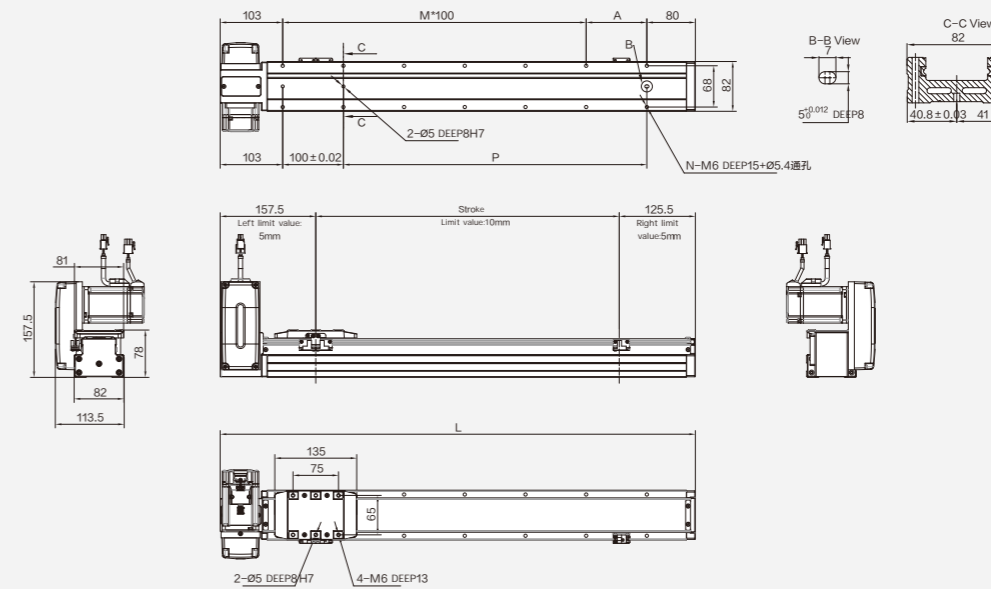
(Unit:mm)

Motor upward to the left	Stroke	50	100	150	200	250	300	350	400	450	500	550	600	650	700	750	800	850	900	
	L	333	383	433	483	533	583	633	683	733	783	833	883	933	983	1033	1083	1133	1183	
	A	50	100	50	100	50	100	50	100	50	100	50	100	50	100	50	100	50	100	50
	M	1	1	2	2	3	3	4	4	5	5	6	6	7	7	8	8	9	9	9
	N	6	6	8	8	10	10	12	12	14	14	16	16	18	18	20	20	22	22	22
	P	50	100	150	200	250	300	350	400	450	500	550	600	650	700	750	800	850	900	900
	KG	4.2	4.5	4.8	5.1	5.4	5.7	6	6.3	6.6	6.9	7.2	7.5	7.8	8.1	8.4	8.7	9	9.3	9.3

Motor upward to the left	Stroke	950	1000	1050	1100	1150	1200	1250	1300	1350	1400	1450	1500	1550	1600	1650	1700	1750		
	L	1233	1283	1333	1383	1433	1483	1533	1583	1633	1683	1733	1783	1833	1883	1933	1983	2033		
	A	50	100	50	100	50	100	50	100	50	100	50	100	50	100	50	100	50	50	
	M	10	10	11	11	12	12	13	13	14	14	15	15	16	16	17	17	18		
	N	24	24	26	26	28	28	30	30	32	32	34	34	36	36	38	38	40		
	P	950	1000	1050	1100	1150	1200	1250	1300	1350	1400	1450	1500	1550	1600	1650	1700	1750		
	KG	9.6	9.9	10.2	10.5	10.8	11.1	11.4	11.7	12	12.3	12.6	12.9	13.2	13.5	13.8	14.1	14.4		

Motor upward to the right

RTB8



(Unit:mm)

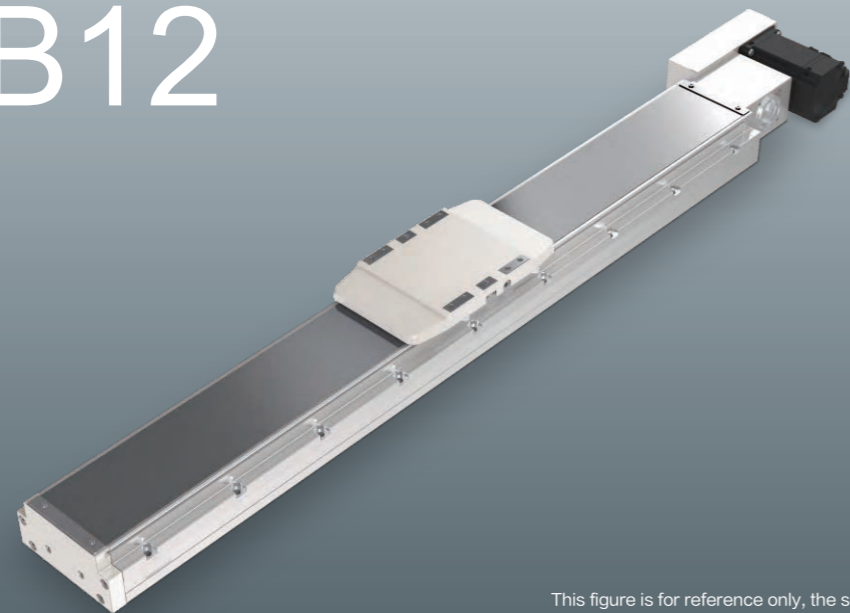
Motor upward to the right	Stroke	50	100	150	200	250	300	350	400	450	500	550	600	650	700	750	800	850	900	
	L	333	383	433	483	533	583	633	683	733	783	833	883	933	983	1033	1083	1133	1183	
	A	50	100	50	100	50	100	50	100	50	100	50	100	50	100	50	100	50	100	50
	M	1	1	2	2	3	3	4	4	5	5	6	6	7	7	8	8	9	9	9
	N	6	6	8	8	10	10	12	12	14	14	16	16	18	18	20	20	22	22	22
	P	50	100	150	200	250	300	350	400	450	500	550	600	650	700	750	800	850	900	900
	KG	4.2	4.5	4.8	5.1	5.4	5.7	6	6.3	6.6	6.9	7.2	7.5	7.8	8.1	8.4	8.7	9	9.3	9.3

Motor upward to the right	Stroke	950	1000	1050	1100	1150	1200	1250	1300	1350	1400	1450	1500	1550	1600	1650	1700	1750		
	L	1233	1283	1333	1383	1433	1483	1533	1583	1633	1683	1733	1783	1833	1883	1933	1983	2033		
	A	50	100	50	100	50	100	50	100	50	100	50	100	50	100	50	100	50	50	
	M	10	10	11	11	12	12	13	13	14	14	15	15	16	16	17	17	18		
	N	24	24	26	26	28	28	30	30	32	32	34	34	36	36	38	38	40		
	P	950	1000	1050	1100	1150	1200	1250	1300	1350	1400	1450	1500	1550	1600	1650	1700	1750		
	KG	9.6	9.9	10.2	10.5	10.8	11.1	11.4	11.7	12	12.3	12.6	12.9	13.2	13.5	13.8	14.1	14.4		

In-line belt series

RTB12

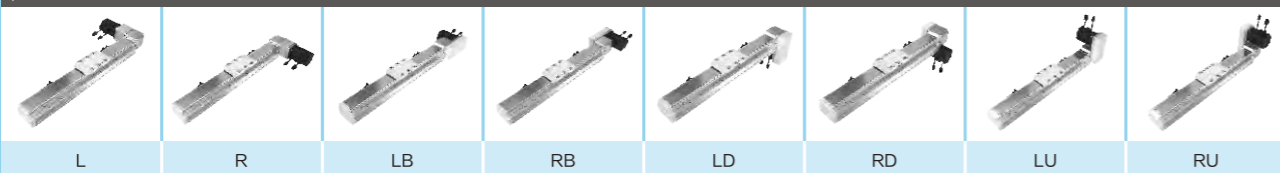
1-axis



This figure is for reference only, the shipping specifications are detailed in the dimension drawing.

Maximum stroke	1750mm	Maximum speed	3600mm/s	Motor capacity	200w	Belt Width	30mm
----------------	--------	---------------	----------	----------------	------	------------	------

Motor diection



Ordering method

RTB12 - L36 - 100 - LB - P40B - C4 - Special

Special Order No.

Model	Stroke	Lead		Motor position	Motor brand, power output	Home sensor	Limit sensor
	50-1750mm	36 36mm	72 72mm	L Motor external left side	M Mitsubishi 10 - B	Out side	Out side
	50mm Pitch			R Motor external right side	P Panasonic 20 -	C Motor side	3 1Pc
	Limitations while stroke is 50 only install 2 sets of optoelectronics.			LB Motor external left fold	Y Yaskawa 40 400W	D Opposite motor side	4 2Pc
				RB Motor external right fold	T Delta 75 -	No sensor	No sensor
				LD Motor down to the left		E No sensor	5 No sensor
				RD Motor down to the right			
				LU Motor upward to the left			
				RU Motor upward to the right			

If no brake, no description.

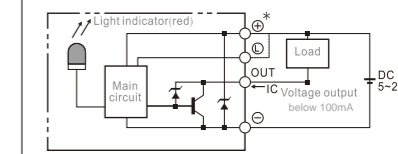
When the stroke is 50mm, the sensor installation has the following restrictions:
 • Home sensor and limit sensor has to be installed on the different side of body.
 • Both sides of slider need to install the sensor trigger device.

Specification

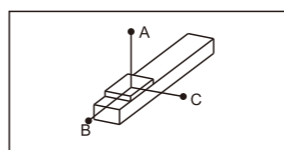
Spec	Repeatability	mm	± 0.04	
	Lead	mm	36/72	
	Maximum speed	mm/s	1800/3600	
	Maximum payload	Horizontal	kg	25
		Vertical	kg	
	Rated thrust	N	100	
	Stroke pitch	mm	50-1750mm/50 pitch	
	AC Servo motor output	W	200	
	Belt width	mm	30	
	Home sensor	Outside	mm	EE-SX674(NPN)

* Acceleration and deceleration value is set 0.4 second.

Sensor layout



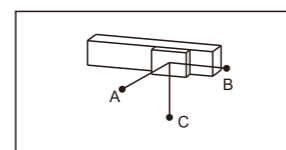
Allowable overhang



(Unit:mm)

Horizontal Installation	A	B	C	
Lead 36/72	10kg	1794	688	538
	20kg	858	324	253
	25kg	670	251	197

Static loading moment



(Unit:mm)

Wall Installation	A	B	C	
Lead 36/72	15kg	348	446	1170
	18kg	285	365	961
	25kg	197	251	670

(Unit:N.m)

MY	551
MP	552
MR	485

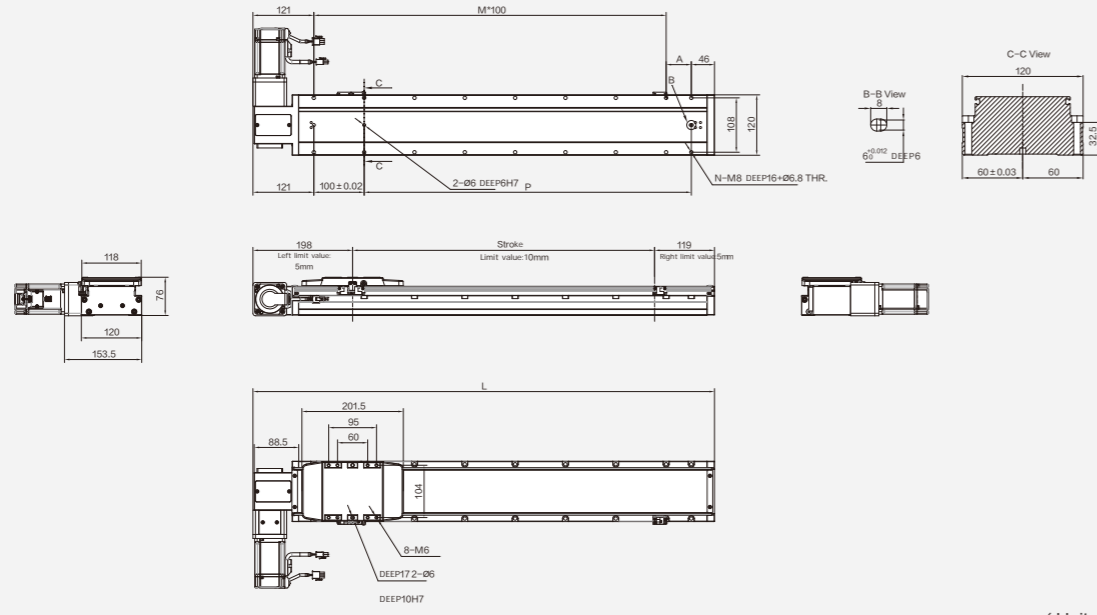
- The torque value in the chart indicate the center of gravity.
- Operation life is 10,000km when the product is using under the specified conditions.
- Data information is not for ceiling-mount inverse use. Contact us for the details if you want to apply ceiling-mount inverse usage.

Suitable motor brand

Brand	Mark	Brake	Watt	AC-Voltage	Motor model	Driver model
Mitsubishi	M	No brake(Horizontal type)	200	220	HG-KR23	MR-J4-20A
Panasonic	P	No brake(Horizontal type)	200	220	MHMD022P1S	MADHT1207
Delta	T	No brake(Horizontal type)	200	220	ECMA-C20602ES	ASD-B20221-B

Motor external left side

RTB12



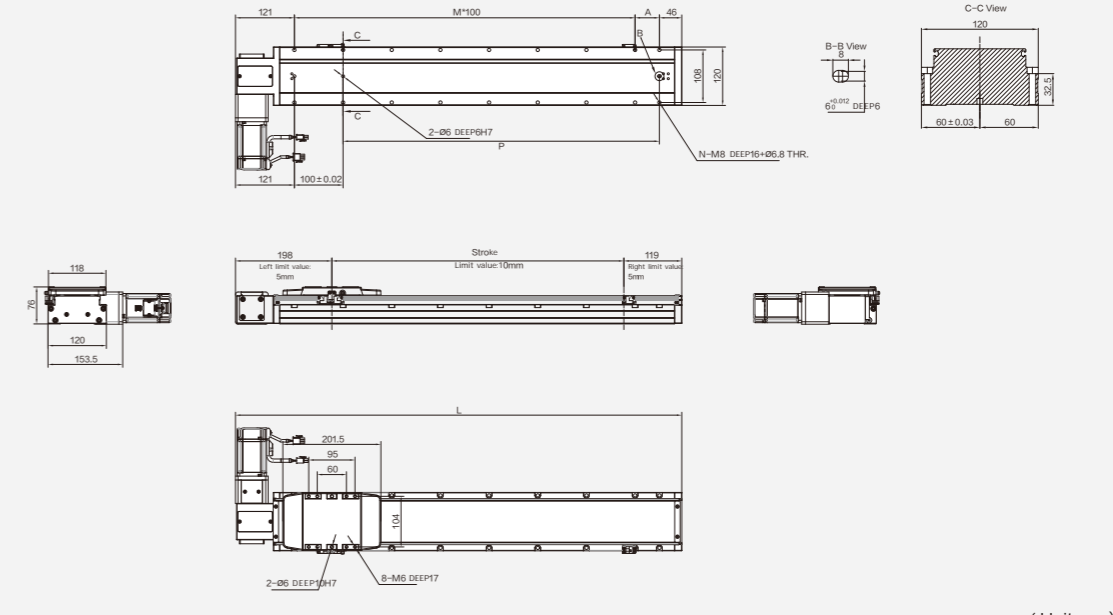
(Unit:mm)

Motor external left side	Stroke	50	100	150	200	250	300	350	400	450	500	550	600	650	700	750	800	850	900	
	L	L	367	417	467	517	567	617	667	717	767	817	867	917	967	1017	1067	1117	1167	1217
	A	100	50	100	50	100	50	100	50	100	50	100	50	100	50	100	50	100	50	100
	M	1	2	2	3	3	4	4	5	5	6	6	7	7	8	8	9	9	10	
	N	6	8	8	10	10	12	12	14	14	16	16	18	18	20	20	22	22	24	
	P	100	150	200	250	300	350	400	450	500	550	600	650	700	750	800	850	900	950	
	KG	5.3	5.65	6	6.35	6.7	7.05	7.4	7.75	8.1	8.45	8.8	9.15	9.5	9.85	10.2	10.55	10.9	11.25	

Motor external left side	Stroke	950	1000	1050	1100	1150	1200	1250	1300	1350	1400	1450	1500	1550	1600	1650	1700	1750
	L	L	1267	1317	1367	1417	1467	1517	1567	1617	1667	1717	1767	1817	1867	1917	1967	2017
	A	100	50	100	50	100	50	100	50	100	50	100	50	100	50	100	50	100
	M	10	11	11	12	12	13	13	14	14	15	15	16	16	17	17	18	18
	N	24	26	26	28	28	30	30	32	32	34	34	36	36	38	38	40	40
	P	1000	1050	1100	1150	1200	1250	1300	1350	1400	1450	1500	1550	1600	1650	1700	1750	1800
	KG	11.6	11.95	12.3	12.65	13	13.35	13.7	14.05	14.4	14.75	15.1	15.45	15.8	16.15	16.5	16.85	17.2

Motor external right side

RTB12



(Unit:mm)

Motor external right side	Stroke	50	100	150	200	250	300	350	400	450	500	550	600	650	700	750	800	850	900	
	R	L	367	417	467	517	567	617	667	717	767	817	867	917	967	1017	1067	1117	1167	1217
	A	100	50	100	50	100	50	100	50	100	50	100	50	100	50	100	50	100	50	100
	M	1	2	2	3	3	4	4	5	5	6	6	7	7	8	8	9	9	10	
	N	6	8	8	10	10	12	12	14	14	16	16	18	18	20	20	22	22	24	
	P	100	150	200	250	300	350	400	450	500	550	600	650	700	750	800	850	900	950	
	KG	5.3	5.65	6	6.35	6.7	7.05	7.4	7.75	8.1	8.45	8.8	9.15	9.5	9.85	10.2	10.55	10.9	11.25	

Motor external right side	Stroke	950	1000	1050	1100	1150	1200	1250	1300	1350	1400	1450	1500	1550	1600	1650	1700	1750
	R	L	1267	1317	1367	1417	1467	1517	1567	1617	1667	1717	1767	1817	1867	1917	1967	2017
	A	100	50	100	50	100	50	100	50	100	50	100	50	100	50	100	50	100
	M	10	11	11	12	12	13	13	14	14	15	15	16	16	17	17	18	18
	N	24	26	26	28	28	30	30	32	32	34	34	36	36	38	38	40	40
	P	1000	1050	1100	1150	1200	1250	1300	1350	1400	1450	1500	1550	1600	1650	1700	1750	1800
	KG	11.6	11.95	12.3	12.65	13	13.35	13.7	14.05	14.4	14.75	15.1	15.45	15.8	16.15	16.5	16.85	17.2

ATH3
ATH4
ATH5
ATH8
ATH12
ATH15
RTH4
RTH5
RTH8
RTH12
DG60
DG100
DG135
KTH13
KTH14
KTH17
KTH22
KTH27
DMB5
DMB10
DMB20
DMB30
DMB40
EMB5
EMB10
EMB20
RTB5
RTB8

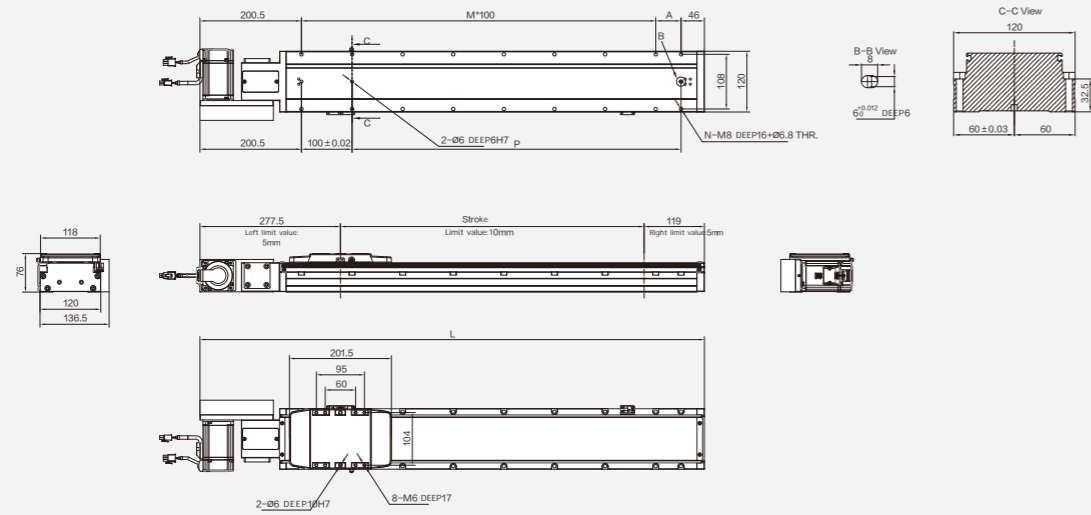
RTB12

RTB15
DB100
DB135
KTB14M
KTB17M
KTB22M
MB5
MB80
MB110
ACH4
ACH5
ACH8
ACH12
ACH15
RCH4
RCH5
RCH8
RCH12
KCH14
KCH17
KCH22
RCB5
RCB8
RCB12
RCB15
KCB14
KCB17
KCB22
KKT50
KKT60
KKT86
GR14
GR17
GR22
LM80
LM140
LM170
LM210

General/
Inline/
Screw sample
ATH
RTH
General/
Screw sample
DG
KTH
General/
Electric cylinder
sample
DMB
EMB
General/Inline
/Belt sample
RTB
General/
Belt sample
DB
KTB
General/
European/Belt
sample
MB
Clean/Inline/
Screw sample
ACH
RCH
Clean/
Screw sample
KCH
Clean/Inline/
Belt sample
RCB
Clean/
Belt sample
KCB
General/KKT/
Screw sample
KKT
General/
Rack and
pinion sample
GR
General/
Linear motor
sample
LM
Reference

Motor external left fold

RTB12



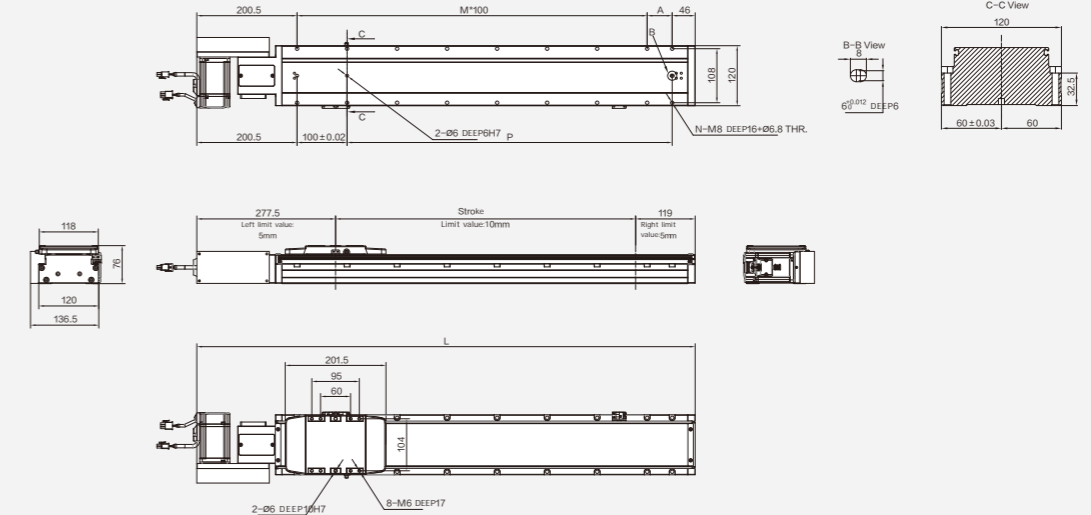
(Unit:mm)

Motor external left fold	Stroke	50	100	150	200	250	300	350	400	450	500	550	600	650	700	750	800	850	900
		L	446.5	496.5	546.5	596.5	646.5	696.5	746.5	796.5	846.5	896.5	946.5	996.5	1046.5	1096.5	1146.5	1196.5	1246.5
A	100	50	100	50	100	50	100	50	100	50	100	50	100	50	100	50	100	50	100
M	1	2	2	3	3	4	4	5	5	6	6	7	7	8	8	9	9	10	10
N	8	8	8	10	10	12	12	14	14	16	16	18	18	20	20	22	22	24	24
P	100	150	200	250	300	350	400	450	500	550	600	650	700	750	800	850	900	950	950
KG	5.7	6.05	6.4	6.75	7.1	7.45	7.8	8.15	8.5	8.85	9.2	9.55	9.9	10.25	10.6	10.95	11.3	11.65	11.65

Motor external left fold	Stroke	950	1000	1050	1100	1150	1200	1250	1300	1350	1400	1450	1500	1550	1600	1650	1700	1750	
		L	1346.5	1396.5	1446.5	1496.5	1546.5	1596.5	1646.5	1696.5	1746.5	1796.5	1846.5	1896.5	1946.5	1996.5	2046.5	2096.5	2146.5
A	100	50	100	50	100	50	100	50	100	50	100	50	100	50	100	50	100	50	100
M	10	11	11	12	12	13	13	14	14	15	15	16	16	17	17	18	18		
N	24	26	26	28	28	30	30	32	32	34	34	36	36	38	38	40	40		
P	1000	1050	1100	1150	1200	1250	1300	1350	1400	1450	1500	1550	1600	1650	1700	1750	1800		
KG	12	12.35	12.7	13.05	13.4	13.75	14.1	14.45	14.8	15.15	15.5	15.85	16.2	16.55	16.9	17.25	17.6		

Motor external right fold

RTB12



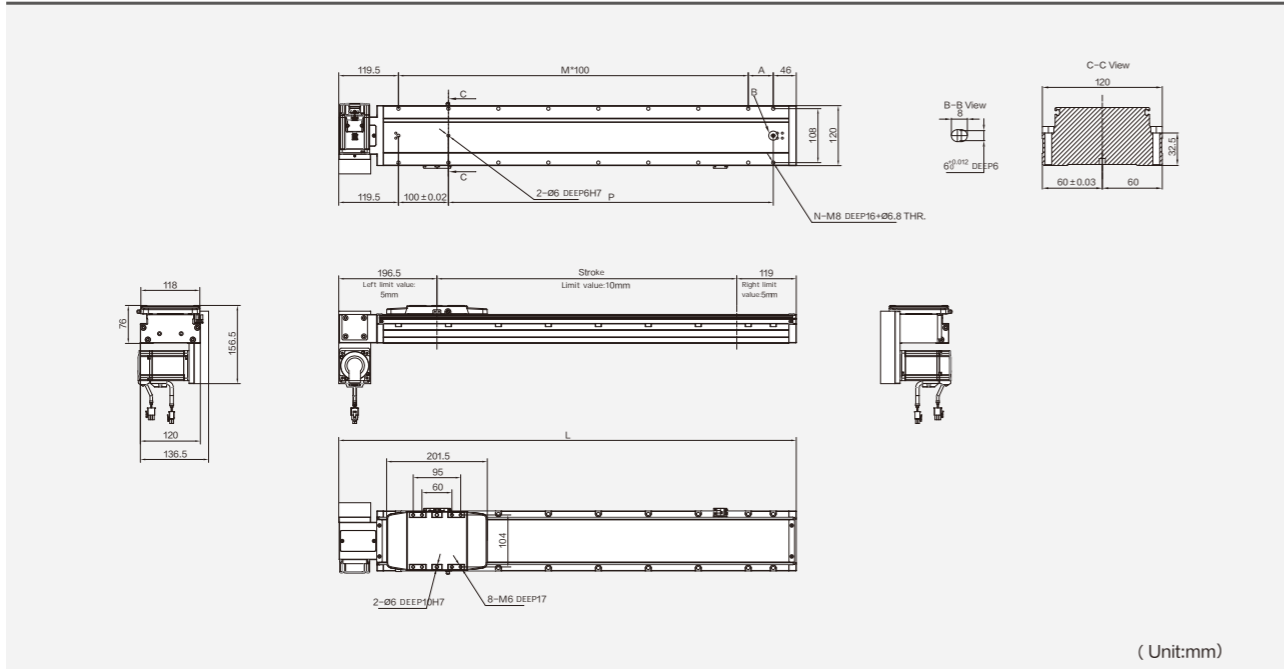
(Unit:mm)

Motor external right fold	Stroke	50	100	150	200	250	300	350	400	450	500	550	600	650	700	750	800	850	900
		L	446.5	496.5	546.5	596.5	646.5	696.5	746.5	796.5	846.5	896.5	946.5	996.5	1046.5	1096.5	1146.5	1196.5	1246.5
A	100	50	100	50	100	50	100	50	100	50	100	50	100	50	100	50	100	50	100
M	1	2	2	3	3	4	4	5	5	6	6	7	7	8	8	9	9	10	10
N	8	8	8	10	10	12	12	14	14	16	16	18	18	20	20	22	22	24	24
P	100	150	200	250	300	350	400	450	500	550	600	650	700	750	800	850	900	950	950
KG	5.7	6.05	6.4	6.75	7.1	7.45	7.8	8.15	8.5	8.85	9.2	9.55	9.9	10.25	10.6	10.95	11.3	11.65	11.65

Motor external right fold	Stroke	950	1000	1050	1100	1150	1200	1250	1300	1350	1400	1450	1500	1550	1600	1650	1700	1750	
		L	1346.5	1396.5	1446.5	1496.5	1546.5	1596.5	1646.5	1696.5	1746.5	1796.5	1846.5	1896.5	1946.5	1996.5	2046.5	2096.5	2146.5
A	100	50	100	50	100	50	100	50	100	50	100	50	100	50	100	50	100	50	100
M	10	11	11	12	12	13	13	14	14	15	15	16	16	17	17	18	18		
N	24	26	26	28	28	30	30	32	32	34	34	36	36	38	38	40	40		
P	1000	1050	1100	1150	1200	1250	1300	1350	1400	1450	1500	1550	1600	1650	1700	1750	1800		
KG	12	12.35	12.7	13.05	13.4	13.75	14.1	14.45	14.8	15.15	15.5	15.85	16.2	16.55	16.9	17.25	17.6		

Motor down to the left

RTB12



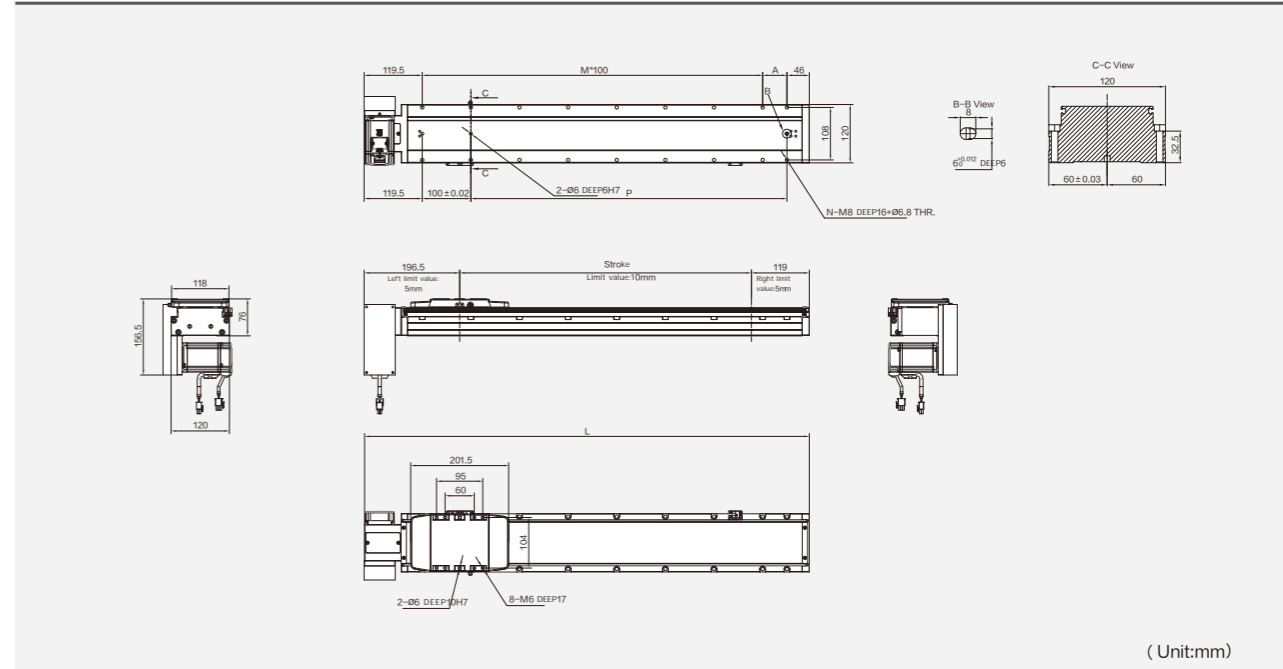
(Unit:mm)

Motor down to the left	Stroke	50	100	150	200	250	300	350	400	450	500	550	600	650	700	750	800	850	900
	L	365.5	415.5	465.5	515.5	565.5	615.5	665.5	715.5	765.5	815.5	865.5	915.5	965.5	1015.5	1065.5	1115.5	1165.5	1215.5
A	100	50	100	50	100	50	100	50	100	50	100	50	100	50	100	50	100	50	100
M	1	2	2	3	3	4	4	5	5	6	6	7	7	8	8	9	9	10	10
N	6	8	8	10	10	12	12	14	14	16	16	18	18	20	20	22	22	24	24
P	100	150	200	250	300	350	400	450	500	550	600	650	700	750	800	850	900	950	950
KG	5.7	6.05	6.4	6.75	7.1	7.45	7.8	8.15	8.5	8.85	9.2	9.55	9.9	10.25	10.6	10.95	11.3	11.65	11.65

Motor down to the left	Stroke	950	1000	1050	1100	1150	1200	1250	1300	1350	1400	1450	1500	1550	1600	1650	1700	1750
	L	1265.5	1315.5	1365.5	1415.5	1465.5	1515.5	1565.5	1615.5	1668.5	1715.5	1765.5	1815.5	1865.5	1915.5	1965.5	2015.5	2065.5
A	100	50	100	50	100	50	100	50	100	50	100	50	100	50	100	50	100	
M	10	11	11	12	12	13	13	14	14	15	15	16	16	17	17	18	18	
N	24	26	26	28	28	30	30	32	32	34	34	36	36	38	38	40	40	
P	1000	1050	1100	1150	1200	1250	1300	1350	1400	1450	1500	1550	1600	1650	1700	1750	1800	
KG	12	12.35	12.7	13.05	13.4	13.75	14.1	14.45	14.8	15.15	15.5	15.85	16.2	16.55	16.9	17.25	17.6	

Motor down to the right

RTB12



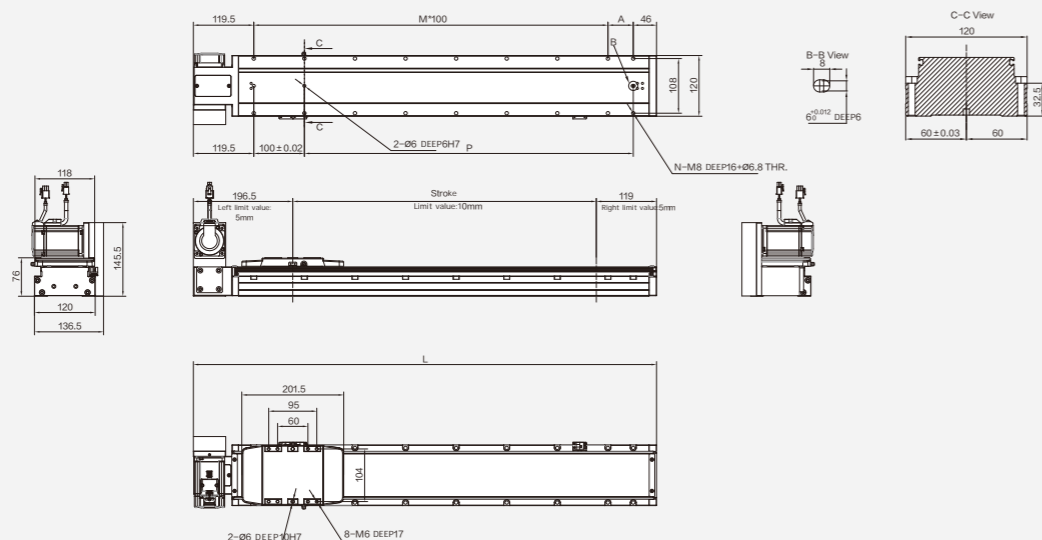
(Unit:mm)

Motor down to the right	Stroke	50	100	150	200	250	300	350	400	450	500	550	600	650	700	750	800	850	900
	L	365.5	415.5	465.5	515.5	565.5	615.5	665.5	715.5	765.5	815.5	865.5	915.5	965.5	1015.5	1065.5	1115.5	1165.5	1215.5
A	100	50	100	50	100	50	100	50	100	50	100	50	100	50	100	50	100	50	100
M	1	2	2	3	3	4	4	5	5	6	6	7	7	8	8	9	9	10	10
N	6	8	8	10	10	12	12	14	14	16	16	18	18	20	20	22	22	24	24
P	100	150	200	250	300	350	400	450	500	550	600	650	700	750	800	850	900	950	950
KG	5.7	6.05	6.4	6.75	7.1	7.45	7.8	8.15	8.5	8.85	9.2	9.55	9.9	10.25	10.6	10.95	11.3	11.65	11.65

Motor down to the right	Stroke	950	1000	1050	1100	1150	1200	1250	1300	1350	1400	1450	1500	1550	1600	1650	1700	1750
	L	1265.5	1315.5	1365.5	1415.5	1465.5	1515.5	1565.5	1615.5	1668.5	1715.5	1765.5	1815.5	1865.5	1915.5	1965.5	2015.5	2065.5
A	100	50	100	50	100	50	100	50	100	50	100	50	100	50	100	50	100	
M	10	11	11	12	12	13	13	14	14	15	15	16	16	17	17	18	18	
N	24	26	26	28	28	30	30	32	32	34	34	36	36	38	38	40	40	
P	1000	1050	1100	1150	1200	1250	1300	1350	1400	1450	1500	1550	1600	1650	1700	1750	1800	
KG	12	12.35	12.7	13.05	13.4	13.75	14.1	14.45	14.8	15.15	15.5	15.85	16.2	16.55	16.9	17.25	17.6	

Motor upward to the right

RTB12



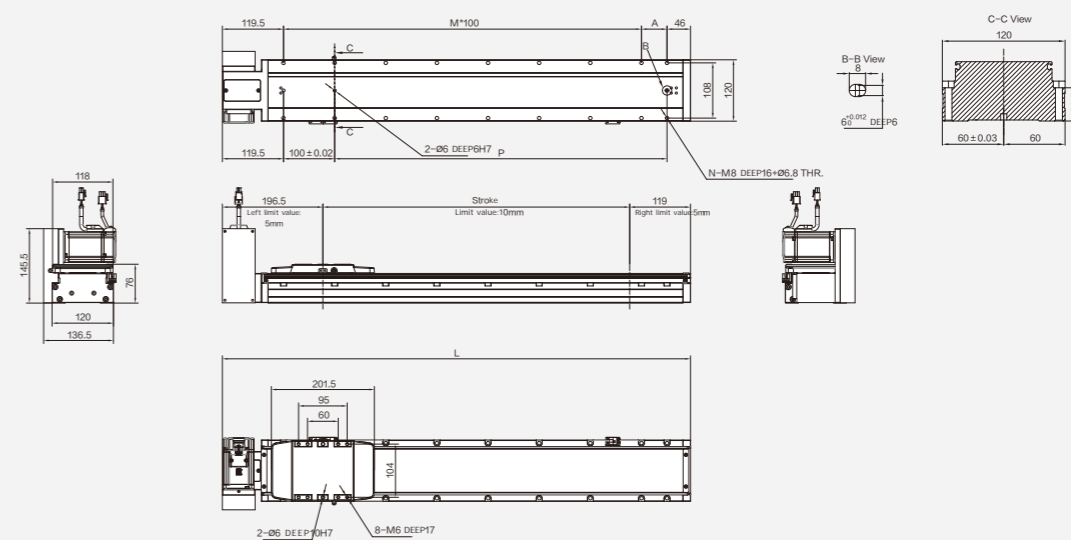
(Unit:mm)

Motor upward to the left	Stroke	50	100	150	200	250	300	350	400	450	500	550	600	650	700	750	800	850	900
	L	365.5	415.5	465.5	515.5	565.5	615.5	665.5	715.5	765.5	815.5	865.5	915.5	965.5	1015.5	1065.5	1115.5	1165.5	1215.5
A	100	50	100	50	100	50	100	50	100	50	100	50	100	50	100	50	100	50	100
M	1	2	2	3	3	4	4	5	5	6	6	7	7	8	8	9	9	10	10
N	6	8	8	10	10	12	12	14	14	16	16	18	18	20	20	22	22	24	24
P	100	150	200	250	300	350	400	450	500	550	600	650	700	750	800	850	900	950	950
KG	5.7	6.05	6.4	6.75	7.1	7.45	7.8	8.15	8.5	8.85	9.2	9.55	9.9	10.25	10.6	10.95	11.3	11.65	11.65

Motor upward to the left	Stroke	950	1000	1050	1100	1150	1200	1250	1300	1350	1400	1450	1500	1550	1600	1650	1700	1750	
	L	1265.5	1315.5	1365.5	1415.5	1465.5	1515.5	1565.5	1615.5	1668.5	1715.5	1765.5	1815.5	1865.5	1915.5	1965.5	2015.5	2065.5	
A	100	50	100	50	100	50	100	50	100	50	100	50	100	50	100	50	100	50	100
M	10	11	11	12	12	13	13	14	14	15	15	16	16	17	17	18	18		
N	24	26	26	28	28	30	30	32	32	34	34	36	36	38	38	40	40		
P	1000	1050	1100	1150	1200	1250	1300	1350	1400	1450	1500	1550	1600	1650	1700	1750	1800		
KG	12	12.35	12.7	13.05	13.4	13.75	14.1	14.45	14.8	15.15	15.5	15.85	16.2	16.55	16.9	17.25	17.6		

Motor upward to the right

RTB12



(Unit:mm)

Motor upward to the right	Stroke	50	100	150	200	250	300	350	400	450	500	550	600	650	700	750	800	850	900
	L	365.5	415.5	465.5	515.5	565.5	615.5	665.5	715.5	765.5	815.5	865.5	915.5	965.5	1015.5	1065.5	1115.5	1165.5	1215.5
A	100	50	100	50	100	50	100	50	100	50	100	50	100	50	100	50	100	50	100
M	1	2	2	3	3	4	4	5	5	6	6	7	7	8	8	9	9	10	10
N	6	8	8	10	10	12	12	14	14	16	16	18	18	20	20	22	22	24	24
P	100	150	200	250	300	350	400	450	500	550	600	650	700	750	800	850	900	950	950
KG	5.7	6.05	6.4	6.75	7.1	7.45	7.8	8.15	8.5	8.85	9.2	9.55	9.9	10.25	10.6	10.95	11.3	11.65	11.65

Motor upward to the right	Stroke	950	1000	1050	1100	1150	1200	1250	1300	1350	1400	1450	1500	1550	1600	1650	1700	1750	
	L	1265.5	1315.5	1365.5	1415.5	1465.5	1515.5	1565.5	1615.5	1668.5	1715.5	1765.5	1815.5	1865.5	1915.5	1965.5	2015.5	2065.5	
A	100	50	100	50	100	50	100	50	100	50	100	50	100	50	100	50	100	50	100
M	10	11	11	12	12	13	13	14	14	15	15	16	16	17	17	18	18		
N	24	26	26	28	28	30	30	32	32	34	34	36	36	38	38	40	40		
P	1000	1050	1100	1150	1200	1250	1300	1350	1400	1450	1500	1550	1600	1650	1700	1750	1800		
KG	12	12.35	12.7	13.05	13.4	13.75	14.1	14.45	14.8	15.15	15.5	15.85	16.2	16.55	16.9	17.25	17.6		

ATH3
ATH4
ATH5
ATH8
ATH12
ATH15
RTH4
RTH5
RTH8
RTH12
DG60
DG100
DG135
KTH13
KTH14
KTH17
KTH22
KTH27
DMB5
DMB10
DMB20
DMB30
DMB40
EMB5
EMB10
EMB20
RTB5
RTB8

RTB12

RTB15
DB100
DB135
KTB14M
KTB17M
KTB22M

MB5
MB8
MB110
ACH4
ACH5
ACH8
ACH12
ACH15
RCH4
RCH5
RCH8
RCH12
KCH14
KCH17
KCH22
RCB5
RCB8
RCB12
RCB15
KCB14
KCB17
KCB22
KKT50
KKT60
KKT86
GR14
GR17
GR22
LM80
LM140
LM170
LM210

General/
Inline/
Screw sample

ATH
RTH

General/
Screw sample

DG
KTH

General/
Electric cylinder
sample

DMB
EMB

General/Inline
/Belt sample

RTB

General/
Belt sample

DB
KTB

General/
European/Belt
sample

MB

Clean/Inline/
Screw sample

ACH
RCH

Clean/
Screw sample

KCH

Clean/Inline/
Belt sample

RCB

Clean/
Belt sample

KCB

General/KKT/
Screw sample

KKT

General/
Rack and
pinion sample

GR

General/
Linear motor
sample

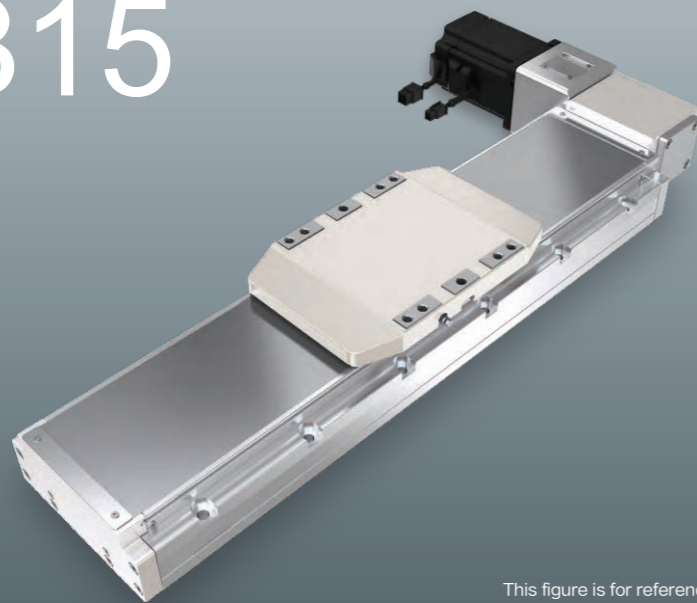
LM

Reference

In-line belt series

RTB15

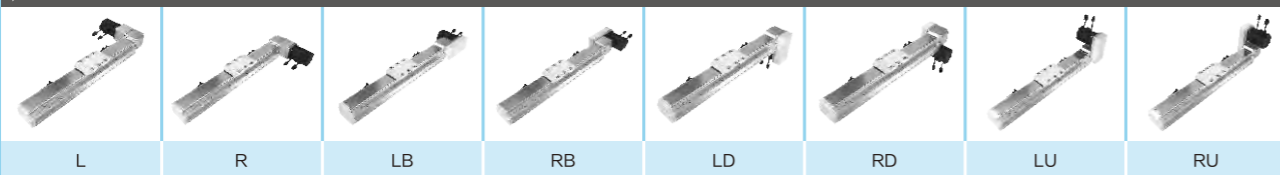
1-axis



This figure is for reference only, the shipping specifications are detailed in the dimension drawing.

Maximum stroke	1750mm	Maximum speed	4200mm/s	Motor capacity	400W	Belt Width	45mm
----------------	--------	---------------	----------	----------------	------	------------	------

Motor diection



Ordering method

RTB15 - L42 - 100 - LB - P40B - C4 - Special

Special Order No.

Model	Stroke	Lead	Motor brand, power output	Home sensor	Limit sensor
L42	50-1750mm 50mm Pitch	42 42mm 84 84mm	M Mitsubishi 10 - B P Panasonic 20 - Y Yaskawa 40 400W T Delta 75 - <small>If no brake, no description.</small>	Out side C Motor side D Opposite motor side E No sensor	Out side 3 1Pc 4 2Pc 5 No sensor
Motor position					
L Motor external left side R Motor external right side LB Motor external left fold RB Motor external right fold LD Motor down to the left RD Motor down to the right LU Motor upward to the left RU Motor upward to the right					

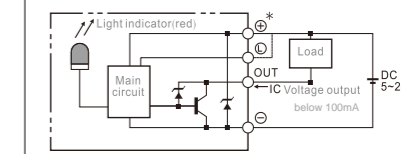
When the stroke is 50mm, the sensor installation has the following restrictions:
 • Home sensor and limit sensor has to be installed on the different side of body.
 • Both sides of slider need to install the sensor trigger device.

Specification

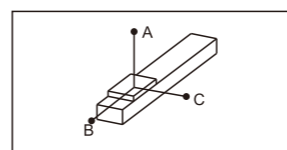
Spec	Repeatability	mm	± 0.04	
	Lead	mm	42/84	
	Maximum speed	mm/s	2100/4200	
	Maximum payload	Horizontal	kg	45
		Vertical	kg	
	Rated thrust	N	204	
	Stroke pitch	mm	50-1750mm/50 pitch	
	AC Servo motor output	W	400	
	Belt width	mm	45	
	Home sensor	Outside	mm	EE-SX674(NPN)

* Acceleration and deceleration value is set 0.4 second.

Sensor layout



Allowable overhang



(Unit:mm)

Horizontal Installation	A	B	C
Lead 42/84	10kg	2942	1133 1033
	20kg	1430	547 498
	30kg	926	350 320
	45kg	588	219 201

Static loading moment



(Unit:N.m)

Wall Installation	A	B	C
Lead 42/84	15kg	676	742 1933
	25kg	390	428 1127
	35kg	269	294 781
	45kg	201	219 588

MY	1032
MP	1034
MR	908

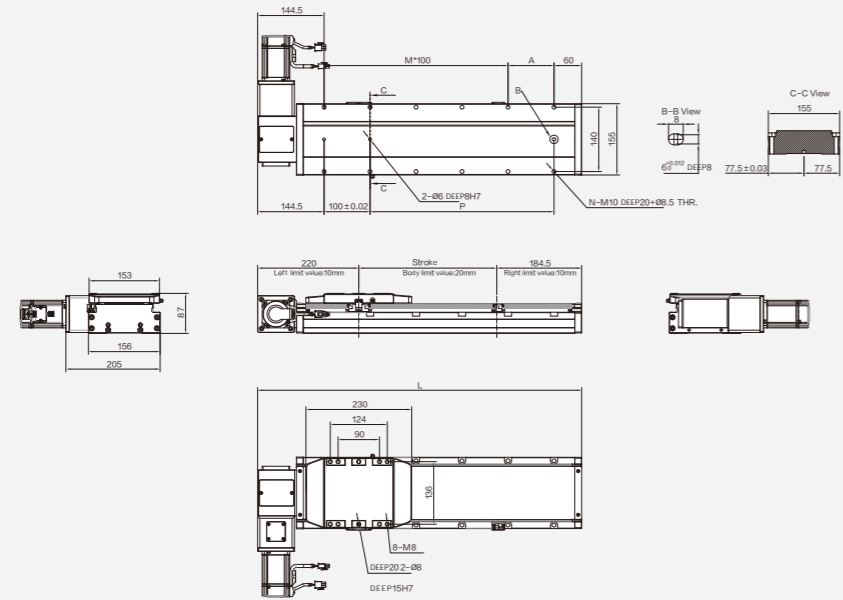
* The torque value in the chart indicate the center of gravity.
 * Operation life is 10,000km when the product is using under the specified conditions.
 * Data information is not for ceiling-mount inverse use. Contact us for the details if you want to apply ceiling-mount Inverse usage.

Suitable motor brand

Brand	Mark	Brake	Watt	AC-Voltage	Motor model	Driver model
Mitsubishi	M	No brake(Horizontal type)	400	220	HG-KR23	MR-J4-40A
Panasonic	P	No brake(Horizontal type)	400	220	MHMD042G1U	MBDHT2510
Delta	T	No brake(Horizontal type)	400	220	ECMA-C20604ES	ASD-B20421-B

Motor external left side

RTB15



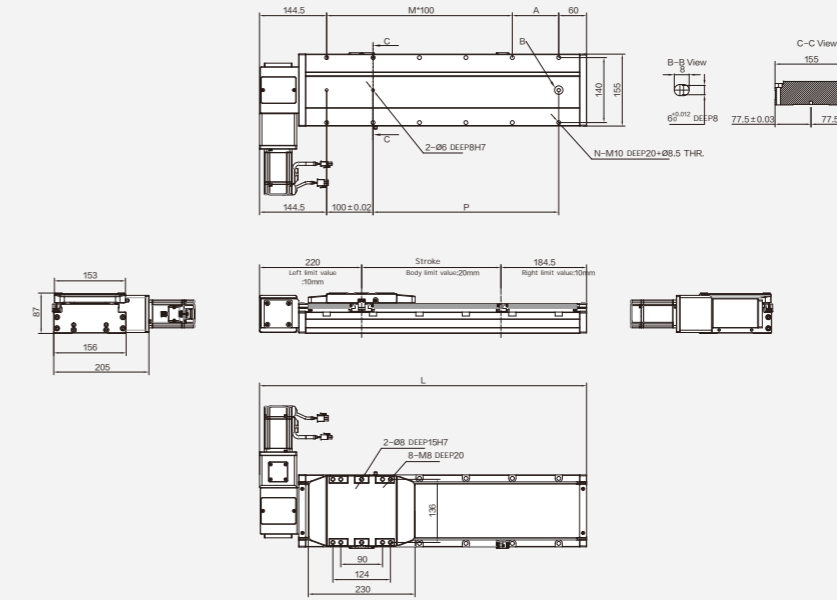
(Unit:mm)

Motor external left side	Stroke	50	100	150	200	250	300	350	400	450	500	550	600	650	700	750	800	850	900
	L	454.5	504.5	554.5	604.5	654.5	704.5	754.5	804.5	854.5	904.5	954.5	1004.5	1054.5	1104.5	1154.5	1204.5	1254.5	1304.5
A	50	100	50	100	50	100	50	100	50	100	50	100	50	100	50	100	50	100	50
M	2	2	3	3	4	4	5	5	6	6	7	7	8	8	9	9	10	10	10
N	8	8	10	10	12	12	14	14	16	16	18	18	20	20	22	22	24	24	24
P	150	200	250	300	350	400	450	500	550	600	650	700	750	800	850	900	950	1000	1000
KG	9.6	10.1	10.6	11.1	11.6	12.1	12.6	13.1	13.6	14.1	14.6	15.1	15.6	16.1	16.6	17.1	17.6	18.1	18.1

Motor external left side	Stroke	950	1000	1050	1100	1150	1200	1250	1300	1350	1400	1450	1500	1550	1600	1650	1700	1750	
	L	1354.5	1404.5	1454.5	1504.5	1554.5	1604.5	1654.5	1704.5	1754.5	1804.5	1854.5	1904.5	1954.5	2004.5	2054.5	2104.5	2154.5	
A	50	100	50	100	50	100	50	100	50	100	50	100	50	100	50	100	50	100	50
M	11	11	12	12	13	13	14	14	15	15	16	16	17	17	18	18	20		
N	26	26	28	28	30	30	32	32	34	34	36	36	38	38	40	40	42		
P	1050	1100	1150	1200	1250	1300	1350	1400	1450	1500	1550	1600	1650	1700	1750	1800	1850		
KG	18.6	19.1	19.6	20.1	20.6	21.1	21.6	22.1	22.6	23.1	23.6	24.1	24.6	25.1	25.6	26.1	26.6		

Motor external right side

RTB15



(Unit:mm)

Motor external right side	Stroke	50	100	150	200	250	300	350	400	450	500	550	600	650	700	750	800	850	900
	L	454.5	504.5	554.5	604.5	654.5	704.5	754.5	804.5	854.5	904.5	954.5	1004.5	1054.5	1104.5	1154.5	1204.5	1254.5	1304.5
A	50	100	50	100	50	100	50	100	50	100	50	100	50	100	50	100	50	100	50
M	2	2	3	3	4	4	5	5	6	6	7	7	8	8	9	9	10	10	10
N	8	8	10	10	12	12	14	14	16	16	18	18	20	20	22	22	24	24	24
P	150	200	250	300	350	400	450	500	550	600	650	700	750	800	850	900	950	1000	1000
KG	9.6	10.1	10.6	11.1	11.6	12.1	12.6	13.1	13.6	14.1	14.6	15.1	15.6	16.1	16.6	17.1	17.6	18.1	18.1

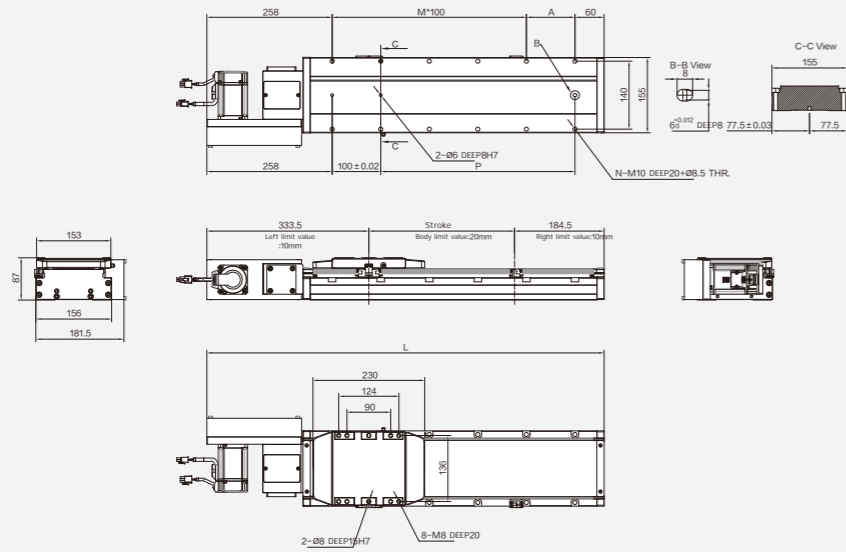
Motor external right side	Stroke	950	1000	1050	1100	1150	1200	1250	1300	1350	1400	1450	1500	1550	1600	1650	1700	1750	
	L	1354.5	1404.5	1454.5	1504.5	1554.5	1604.5	1654.5	1704.5	1754.5	1804.5	1854.5	1904.5	1954.5	2004.5	2054.5	2104.5	2154.5	
A	50	100	50	100	50	100	50	100	50	100	50	100	50	100	50	100	50	100	50
M	11	11	12	12	13	13	14	14	15	15	16	16	17	17	18	18	20		
N	26	26	28	28	30	30	32	32	34	34	36	36	38	38	40	40	42		
P	1050	1100	1150	1200	1250	1300	1350	1400	1450	1500	1550	1600	1650	1700	1750	1800	1850		
KG	18.6	19.1	19.6	20.1	20.6	21.1	21.6	22.1	22.6	23.1	23.6	24.1	24.6	25.1	25.6	26.1	26.6		

- ATH3
- ATH4
- ATH5
- ATH8
- ATH12
- ATH15
- RTH4
- RTH5
- RTH8
- RTH12
- DG60
- DG100
- DG135
- KTH13
- KTH14
- KTH17
- KTH22
- KTH27
- DMB5
- DMB10
- DMB20
- DMB30
- DMB40
- EMB5
- EMB10
- EMB20
- RTB5
- RTB8
- RTB12
- DB100
- DB135
- KTB14M
- KTB17M
- KTB22M
- MB5
- MB80
- MB110
- ACH4
- ACH5
- ACH8
- ACH12
- ACH15
- RCH4
- RCH5
- RCH8
- RCH12
- KCH14
- KCH17
- KCH22
- RCB5
- RCB8
- RCB12
- RCB15
- KCB14
- KCB17
- KCB22
- KKT50
- KKT60
- KKT86
- GR14
- GR17
- GR22
- LM80
- LM140
- LM170
- LM210

- General/ Inline/ Screw sample
- ATH RTH
- General/ Screw sample
- DG KTH
- General/ Electric cylinder sample
- DMB EMB
- General/ Inline/ Belt sample
- RTB
- General/ Belt sample
- DB KTB
- General/ European/ Belt sample
- MB
- Clean/ Inline/ Screw sample
- ACH RCH
- Clean/ Screw sample
- KCH
- Clean/ Inline/ Belt sample
- RCB
- Clean/ Belt sample
- KCB
- General/ KKT/ Screw sample
- KKT
- General/ Rack and pinion sample
- GR
- General/ Linear motor sample
- LM
- Reference

Motor external left fold

RTB15



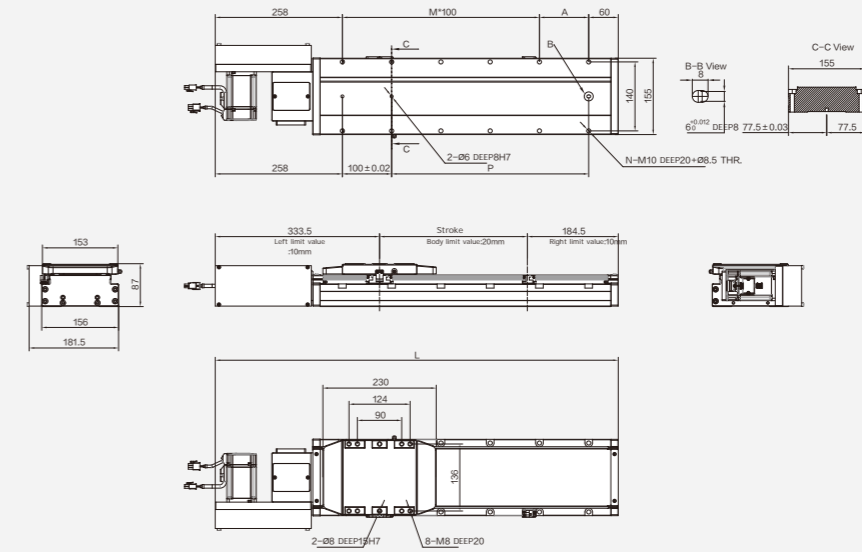
(Unit:mm)

Motor external left fold	Stroke	50	100	150	200	250	300	350	400	450	500	550	600	650	700	750	800	850	900
	L	568	618	668	718	768	818	868	918	968	1018	1068	1118	1168	1218	1268	1318	1368	1418
A	50	100	50	100	50	100	50	100	50	100	50	100	50	100	50	100	50	100	50
M	2	2	3	3	4	4	5	5	6	6	7	7	8	8	9	9	10	10	10
N	8	8	10	10	12	12	14	14	16	16	18	18	20	20	22	22	24	24	24
P	150	200	250	300	350	400	450	500	550	600	650	700	750	800	850	900	950	1000	1000
KG	10	10.5	11	11.5	12	12.5	13	13.5	14	14.5	15	15.5	16	16.5	17	17.5	18	18.5	18.5

Motor external left fold	Stroke	950	1000	1050	1100	1150	1200	1250	1300	1350	1400	1450	1500	1550	1600	1650	1700	1750	
	L	1468	1518	1568	1618	1668	1718	1768	1818	1868	1918	1968	2018	2068	2118	2168	2218	2268	
A	50	100	50	100	50	100	50	100	50	100	50	100	50	100	50	100	50	100	50
M	11	11	12	12	13	13	14	14	15	15	16	16	17	17	18	18	20		
N	26	26	28	28	30	30	32	32	34	34	36	36	38	38	40	40	42		
P	1050	1100	1150	1200	1250	1300	1350	1400	1450	1500	1550	1600	1650	1700	1750	1800	1850		
KG	19	19.5	20	20.5	21	21.5	22	22.5	23	23.5	24	24.5	25	25.5	26	26.5	27		

Motor external right fold

RTB15



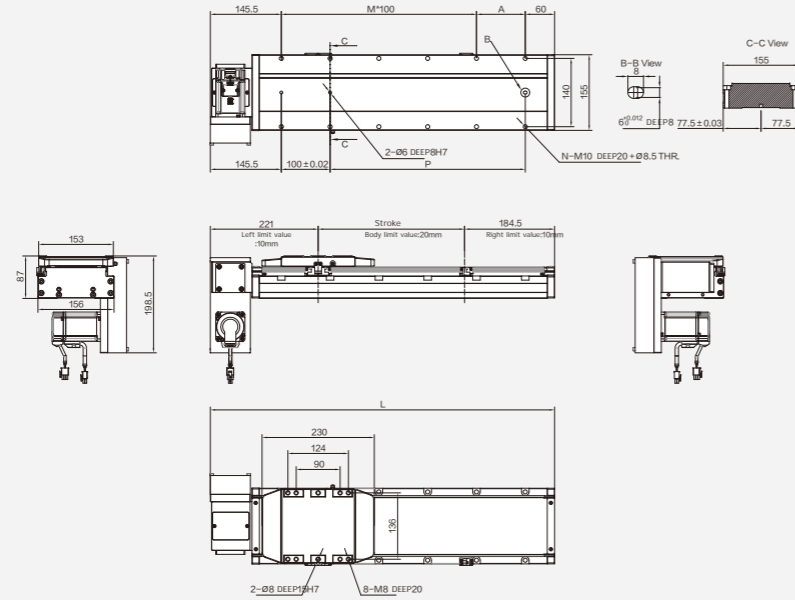
(Unit:mm)

Motor external right fold	Stroke	50	100	150	200	250	300	350	400	450	500	550	600	650	700	750	800	850	900
	L	568	618	668	718	768	818	868	918	968	1018	1068	1118	1168	1218	1268	1318	1368	1418
A	50	100	50	100	50	100	50	100	50	100	50	100	50	100	50	100	50	100	100
M	2	2	3	3	4	4	5	5	6	6	7	7	8	8	9	9	10	10	10
N	8	8	10	10	12	12	14	14	16	16	18	18	20	20	22	22	24	24	24
P	150	200	250	300	350	400	450	500	550	600	650	700	750	800	850	900	950	1000	1000
KG	10	10.5	11	11.5	12	12.5	13	13.5	14	14.5	15	15.5	16	16.5	17	17.5	18	18.5	18.5

Motor external right fold	Stroke	950	1000	1050	1100	1150	1200	1250	1300	1350	1400	1450	1500	1550	1600	1650	1700	1750	
	L	1468	1518	1568	1618	1668	1718	1768	1818	1868	1918	1968	2018	2068	2118	2168	2218	2268	
A	50	100	50	100	50	100	50	100	50	100	50	100	50	100	50	100	50	100	50
M	11	11	12	12	13	13	14	14	15	15	16	16	17	17	18	18	20		
N	26	26	28	28	30	30	32	32	34	34	36	36	38	38	40	40	42		
P	1050	1100	1150	1200	1250	1300	1350	1400	1450	1500	1550	1600	1650	1700	1750	1800	1850		
KG	19	19.5	20	20.5	21	21.5	22	22.5	23	23.5	24	24.5	25	25.5	26	26.5	27		

Motor down to the left

RTB15



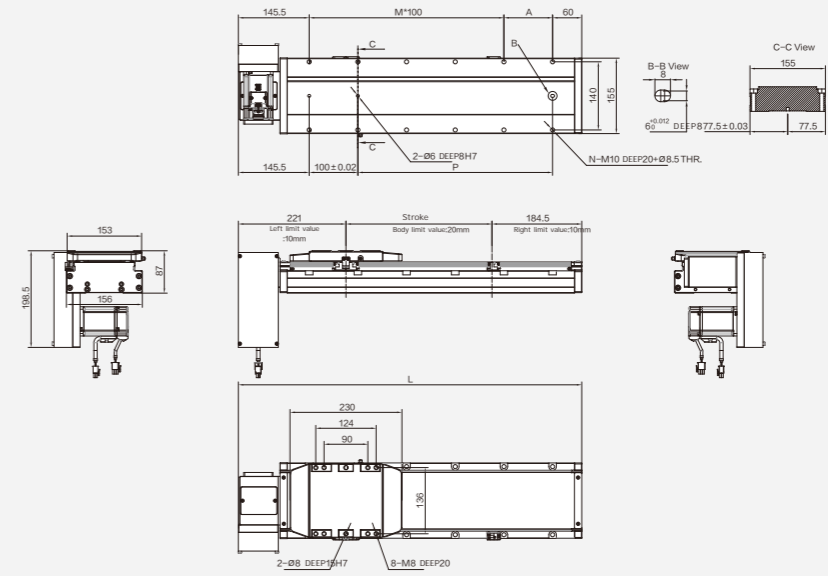
(Unit:mm)

Motor down to the left	Stroke	50	100	150	200	250	300	350	400	450	500	550	600	650	700	750	800	850	900
	L	455.5	505.5	555.5	605.5	655.5	705.5	755.5	805.5	855.5	905.5	955.5	1005.5	1055.5	1105.5	1155.5	1205.5	1255.5	1305.5
A	50	100	50	100	50	100	50	100	50	100	50	100	50	100	50	100	50	100	50
M	2	2	3	3	4	4	5	5	6	6	7	7	8	8	9	9	10	10	10
N	8	8	10	10	12	12	14	14	16	16	18	18	20	20	22	22	24	24	24
P	150	200	250	300	350	400	450	500	550	600	650	700	750	800	850	900	950	1000	1000
KG	10	10.5	11	11.5	12	12.5	13	13.5	14	14.5	15	15.5	16	16.5	17	17.5	18	18.5	18.5

Motor down to the left	Stroke	950	1000	1050	1100	1150	1200	1250	1300	1350	1400	1450	1500	1550	1600	1650	1700	1750	
	L	1355.5	1405.5	1455.5	1505.5	1555.5	1605.5	1655.5	1705.5	1755.5	1805.5	1855.5	1905.5	1955.5	2005.5	2055.5	2105.5	2155.5	
A	50	100	50	100	50	100	50	100	50	100	50	100	50	100	50	100	50	100	50
M	11	11	12	12	13	13	14	14	15	15	16	16	17	17	18	18	20		
N	26	26	28	28	30	30	32	32	34	34	36	36	38	38	40	40	42		
P	1050	1100	1150	1200	1250	1300	1350	1400	1450	1500	1550	1600	1650	1700	1750	1800	1850		
KG	19	19.5	20	20.5	21	21.5	22	22.5	23	23.5	24	24.5	25	25.5	26	26.5	27		

Motor down to the right

RTB15



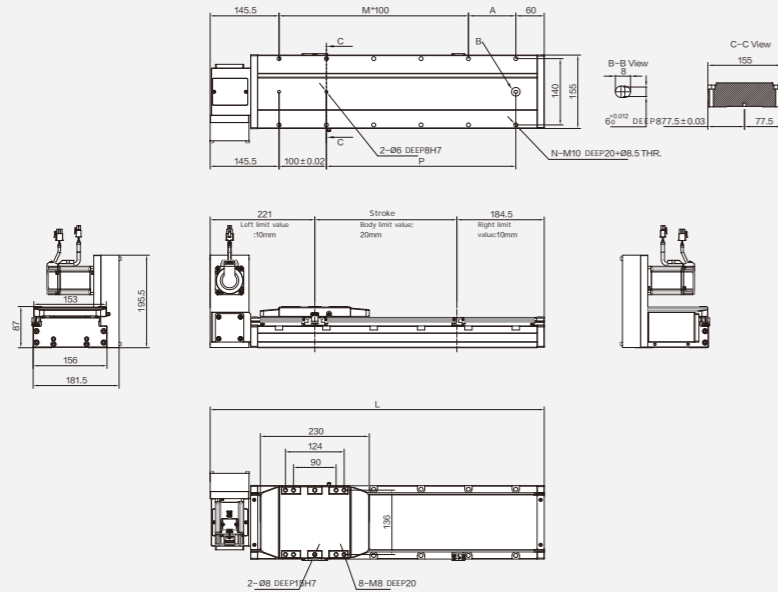
(Unit:mm)

Motor down to the right	Stroke	50	100	150	200	250	300	350	400	450	500	550	600	650	700	750	800	850	900
	L	455.5	505.5	555.5	605.5	655.5	705.5	755.5	805.5	855.5	905.5	955.5	1005.5	1055.5	1105.5	1155.5	1205.5	1255.5	1305.5
A	50	100	50	100	50	100	50	100	50	100	50	100	50	100	50	100	50	100	50
M	2	2	3	3	4	4	5	5	6	6	7	7	8	8	9	9	10	10	10
N	8	8	10	10	12	12	14	14	16	16	18	18	20	20	22	22	24	24	24
P	150	200	250	300	350	400	450	500	550	600	650	700	750	800	850	900	950	1000	1000
KG	10	10.5	11	11.5	12	12.5	13	13.5	14	14.5	15	15.5	16	16.5	17	17.5	18	18.5	18.5

Motor down to the right	Stroke	950	1000	1050	1100	1150	1200	1250	1300	1350	1400	1450	1500	1550	1600	1650	1700	1750	
	L	1355.5	1405.5	1455.5	1505.5	1555.5	1605.5	1655.5	1705.5	1755.5	1805.5	1855.5	1905.5	1955.5	2005.5	2055.5	2105.5	2155.5	
A	50	100	50	100	50	100	50	100	50	100	50	100	50	100	50	100	50	100	50
M	11	11	12	12	13	13	14	14	15	15	16	16	17	17	18	18	20		
N	26	26	28	28	30	30	32	32	34	34	36	36	38	38	40	40	42		
P	1050	1100	1150	1200	1250	1300	1350	1400	1450	1500	1550	1600	1650	1700	1750	1800	1850		
KG	19	19.5	20	20.5	21	21.5	22	22.5	23	23.5	24	24.5	25	25.5	26	26.5	27		

Motor upward to the left

RTB15



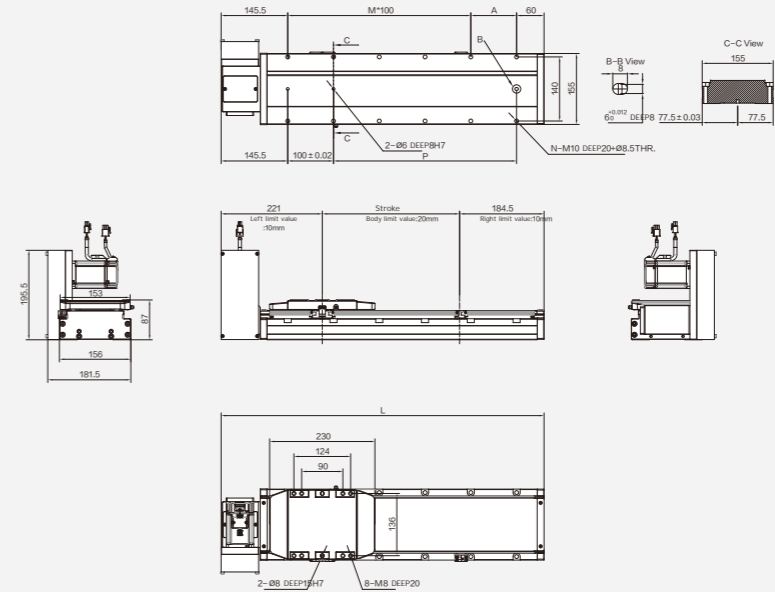
(Unit:mm)

Motor upward to the left	Stroke	50	100	150	200	250	300	350	400	450	500	550	600	650	700	750	800	850	900
	L	455.5	505.5	555.5	605.5	655.5	705.5	755.5	805.5	855.5	905.5	955.5	1005.5	1055.5	1105.5	1155.5	1205.5	1255.5	1305.5
A	50	100	50	100	50	100	50	100	50	100	50	100	50	100	50	100	50	100	50
M	2	2	3	3	4	4	5	5	6	6	7	7	8	8	9	9	10	10	10
N	8	8	10	10	12	12	14	14	16	16	18	18	20	20	22	22	24	24	24
P	150	200	250	300	350	400	450	500	550	600	650	700	750	800	850	900	950	1000	1000
KG	10	10.5	11	11.5	12	12.5	13	13.5	14	14.5	15	15.5	16	16.5	17	17.5	18	18.5	18.5

Motor upward to the left	Stroke	950	1000	1050	1100	1150	1200	1250	1300	1350	1400	1450	1500	1550	1600	1650	1700	1750	
	L	1355.5	1405.5	1455.5	1505.5	1555.5	1605.5	1655.5	1705.5	1755.5	1805.5	1855.5	1905.5	1955.5	2005.5	2055.5	2105.5	2155.5	
A	50	100	50	100	50	100	50	100	50	100	50	100	50	100	50	100	50	100	50
M	11	11	12	12	13	13	14	14	15	15	16	16	17	17	18	18	20		
N	26	26	28	28	30	30	32	32	34	34	36	36	38	38	40	40	42		
P	1050	1100	1150	1200	1250	1300	1350	1400	1450	1500	1550	1600	1650	1700	1750	1800	1850		
KG	19	19.5	20	20.5	21	21.5	22	22.5	23	23.5	24	24.5	25	25.5	26	26.5	27		

Motor upward to the right

RTB15



(Unit:mm)

Motor upward to the right	Stroke	50	100	150	200	250	300	350	400	450	500	550	600	650	700	750	800	850	900
	L	455.5	505.5	555.5	605.5	655.5	705.5	755.5	805.5	855.5	905.5	955.5	1005.5	1055.5	1105.5	1155.5	1205.5	1255.5	1305.5
A	50	100	50	100	50	100	50	100	50	100	50	100	50	100	50	100	50	100	50
M	2	2	3	3	4	4	5	5	6	6	7	7	8	8	9	9	10	10	10
N	8	8	10	10	12	12	14	14	16	16	18	18	20	20	22	22	24	24	24
P	150	200	250	300	350	400	450	500	550	600	650	700	750	800	850	900	950	1000	1000
KG	10	10.5	11	11.5	12	12.5	13	13.5	14	14.5	15	15.5	16	16.5	17	17.5	18	18.5	18.5

Motor upward to the right	Stroke	950	1000	1050	1100	1150	1200	1250	1300	1350	1400	1450	1500	1550	1600	1650	1700	1750	
	L	1355.5	1405.5	1455.5	1505.5	1555.5	1605.5	1655.5	1705.5	1755.5	1805.5	1855.5	1905.5	1955.5	2005.5	2055.5	2105.5	2155.5	
A	50	100	50	100	50	100	50	100	50	100	50	100	50	100	50	100	50	100	50
M	11	11	12	12	13	13	14	14	15	15	16	16	17	17	18	18	20		
N	26	26	28	28	30	30	32	32	34	34	36	36	38	38	40	40	42		
P	1050	1100	1150	1200	1250	1300	1350	1400	1450	1500	1550	1600	1650	1700	1750	1800	1850		
KG	19	19.5	20	20.5	21	21.5	22	22.5	23	23.5	24	24.5	25	25.5	26	26.5	27		

Various combinations



Various combinations



Motor mounting size

Motor mounting size						
Motor size	□ 38	□ 60	□ 60	□ 80	□ 42.3	□ 86
Shaft diameter	Ø8	Ø11	Ø14	Ø19	Ø5	Ø14
Capacity w	100W	200W	400W	750W	42 Stepping motor	86 Stepping motor
Flange code	A	C	E	G	I	K
Motor mounting size						
Motor size	□ 40	□ 60	□ 60	□ 80	□ 56.4	□ 86
Shaft diameter	Ø8	Ø14	Ø14	Ø19	Ø8	Ø12.7
Capacity w	100W	200W	400W	750W	57 Stepping motor	86 Stepping motor
Flange code	B	D	F	H	J	L

Note: This table is for reference only, subject to actual size.

Purchase Guide

Ball screw drive/General environment

RTH Series

Built-in self-lubricating series

RTH5		RTH5	
	Maximum stroke 850mm Maximum load 25kg Body width 44mm		Maximum stroke 850mm Maximum load 30kg Body width 54mm

RTH8		RTH12	
	Maximum stroke 1100mm Maximum load 50kg Body width 82mm		Maximum stroke 1300mm Maximum load 110kg Body width 120mm



KTH Series

General screw series

KTH13		KTH14		KTH17	
	Maximum stroke 1050mm Maximum load 70kg Body width 135mm		Maximum stroke 1050mm Maximum load 110kg Body width 135mm		Maximum stroke 1250mm Maximum load 120kg Body width 170mm

KTH22		KTH27	
	Maximum stroke 1500mm Maximum load 150kg Body width 220mm		Maximum stroke 1500mm Maximum load 350kg Body width 270mm



Ball screw drive/General environment

KKT Series

KKT series

KKT50		KKT60		KKT86	
	Maximum track length 300mm Basic dynamic rated load 1813N Basic static load rating 2910N Body width 50mm		Maximum track length 600mm Basic dynamic rated load 3377N Basic static load rating 5625N Body width 60mm		Maximum track length 940mm Basic dynamic rated load 6429N Basic static load rating 11387N Body width 86mm



Rack and pinion/General environment

GR Series

Rack and pinion series

GR14		GR17		GR22	
	Maximum stroke 3500mm Maximum load 88kg Body width 135mm		Maximum stroke 3500mm Maximum load 102kg Body width 170mm		Maximum stroke 3500mm Maximum load 150kg Body width 220mm






Purchase Guide

RTB Series

RTB series:
1. 1.50mm shorter than ATB series
2. Compact size for limited installation space.



Inline belt series	
RTB5  Maximum stroke 850mm Maximum load 5kg Body width 54mm	RTB8  Maximum stroke 1750mm Maximum load 15kg Body width 82mm

RTB12  Maximum stroke 1750mm Maximum load 25kg Body width 120mm	RTB15  Maximum stroke 1750mm Maximum load 45kg Body width 155mm
---	---

KTB Series

General belt series		
KTB14M  Maximum stroke 3050mm Maximum load 25kg Body width 135mm	KTB17M  Maximum stroke 3050mm Maximum load 45kg Body width 170mm	KTB22M  Maximum stroke 3400mm Maximum load 85kg Body width 220mm

MB Series

European belt series		
MB65  Maximum stroke 5500mm Maximum load 60kg Body width 65mm	MB80  Maximum stroke 5500mm Maximum load 100kg Body width 80mm	MB110  Maximum stroke 5500mm Maximum load 200kg Body width 110mm



Belt drive/General environment

Simple Selection Table–Single Axis Series

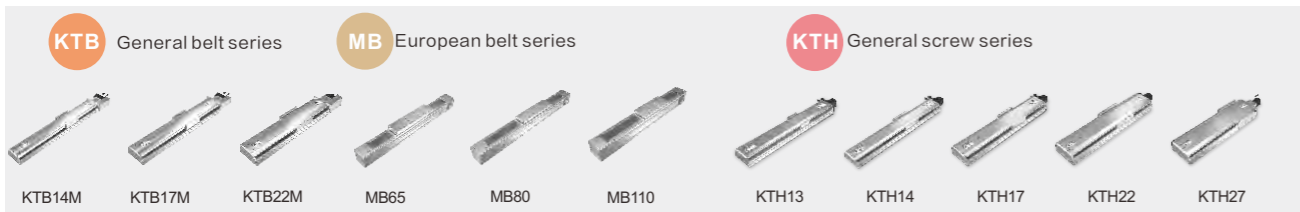


Model Specification	ATH3	ATH4	ATH5	ATH8	ATH12	ATH15		
Motor Output (W)	50	100	100	200/400	400	400	750	
Repeatability (mm)	± 0.005	± 0.005	± 0.005	± 0.005	± 0.005	± 0.005		
Ball Screw Lead (mm)	1/2/5	2/5/10	5/10/20	5/10/20	5/10/20/32	5/10/20/40		
Maximum speed (mm/s)	50/100/300	100/250/500	250/500/1000	250/500/1000	250/500/1000/1600	250/500/1000/2000		
Maximum payload (kg)	Horizontal	5/5/3	25/20/12	30/15/10	50/30/18	110/88/40/30	120/110/75/22	120/120/83/43
	Vertical	3/2/0.8	8/8/3.5	10/5/2.5	15/8/3	33/22/10/8	40/30/14/7	50/40/25/12
Stroke (mm)	10-200	50-800	50-800	50-1050	50-1250	50-1250		

Model Specification	RTH4	RTH5	RTH8	RTH12	
Motor Output (W)	100	100	200/400	400	
Repeatability (mm)	± 0.005	± 0.005	± 0.005	± 0.005	
Ball Screw Lead (mm)	2/5/10	5/10/20	5/10/20	5/10/20/32	
Maximum speed (mm/s)	100/250/500	250/500/1000	250/500/1000	250/500/1000/1600	
Maximum payload (kg)	Horizontal	25/20/12	30/15/10	50/30/18	110/88/40/30
	Vertical	8/8/3.5	10/5/2.5	15/8/3	33/22/10/8
Stroke (mm)	50-850	50-850	50-1100	50-1300	



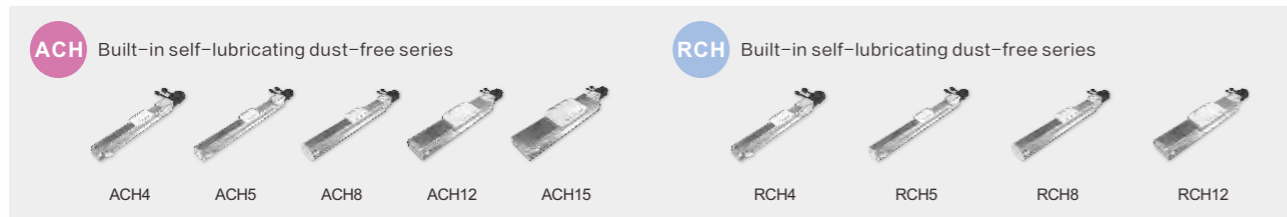
Model Specification	RTB5	RTB8	RTB12	RTB15	
Motor Output (W)	100	200	200	400	
Repeatability (mm)	± 0.04	± 0.04	± 0.04	± 0.04	
Ball Screw Lead (mm)	30/60	33/66	36/72	42/84	
Maximum speed (mm/s)	1500/3000	1650/3300	1800/3600	2100/4200	
Maximum payload (kg)	Horizontal	5	15	25	45
	Vertical	-	-	-	-
Stroke (mm)	50-850	50-1750	50-1750	50-1750	



Model Specification	KTB14M	KTB17M	KTB22M	MB65	MB80	MB110	
Motor Output (W)	200	400	750	400	400/750	750	
Repeatability (mm)	± 0.04	± 0.04	± 0.04	± 0.1	± 0.1	± 0.1	
Ball Screw Lead (mm)	40	40	40	130	200	280	
Gearbox Ratio	-	-	-	3:1/5:1/7:1/10: 1	5:1/7:1/10:1	10:1/15:1/20:1	
Maximum speed (mm/s)	2000	2000	2000	2166/1300/928/650	2000/1428/1000	1400/933/700	
Maximum payload (kg)	Horizontal	25	45	85	30/45/55/60	40/60/100	100/150/200
	Vertical	-	-	-	9/15/16/17	14/21/24	23/36/50
Stroke (mm)	50-3050	50-3050	50-3400	100-5500	100-5500	100-5500	

Model Specification	KTH13	KTH14		KTH17		KTH22	KTH27		
Motor Output (W)	200/400	200	400	400	750	750	750	1000	
Repeatability (mm)	± 0.005	± 0.005		± 0.005		± 0.005	± 0.005		
Ball Screw Lead (mm)	5/10/20/32	5/10/20/32		5/10/20/40		5/10/25/32	5/10/20/32		
Maximum speed (mm/s)	250/500/1000/1600	250/500/1000/1600		250/500/1000/2000		250/500/1250/1600	250/500/1000/1600		
Maximum payload (kg)	Horizontal	70/47/24/13	95/75/35/15	110/88/40/30	120/110/75/22	120/120/83/43	150/150/105/60	250/200/100/50	350/300/200/100
	Vertical	17/12/6/-	27/18/7/-	33/22/10/8	40/30/14/7	50/40/25/12	55/45/20/20	100/80/40/20	140/120/80/40
Stroke (mm)	50-1050	50-1050		50-1250		50-1500	100-1500		

Simple Selection Table-Single Axis Series



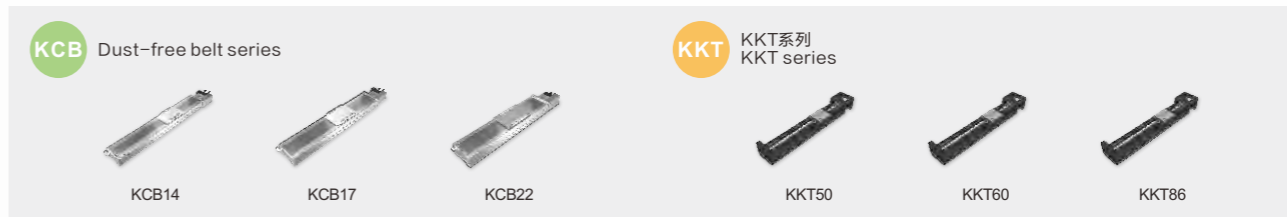
Model Specification	ACH4	ACH5	ACH8	ACH12	ACH15	
Motor Output (W)	100	100	200/400	400	400	750
Repeatability (mm)	±0.005	±0.005	±0.005	±0.005	±0.005	
Ball Screw Lead (mm)	2/5/10	5/10/20	5/10/20	5/10/20/32	5/10/20/40	
Maximum speed (mm/s)	100/250/500	250/500/1000	250/500/1000	250/500/1000/1600	250/500/1000/2000	
Maximum payload (kg)	Horizontal	25/20/12	30/15/10	50/30/18	110/88/40/30	120/120/83/43
	Vertical	8/8/3.5	10/5/2.5	15/8/3	33/22/10/8	40/30/14/7
Stroke (mm)	50-800	50-800	50-1050	50-1250	50-1250	

Model Specification	RCH4	RCH5	RCH8	RCH12
Motor Output (W)	100	100	200/400	400
Repeatability (mm)	±0.005	±0.005	±0.005	±0.005
Ball Screw Lead (mm)	2/5/10	5/10/20	5/10/20	5/10/20/32
Maximum speed (mm/s)	100/250/500	250/500/1000	250/500/1000	250/500/1000/1600
Maximum payload (kg)	Horizontal	25/20/12	30/15/10	50/30/18
	Vertical	8/8/3.5	10/5/2.5	15/8/3
Stroke (mm)	50-850	50-850	50-1100	50-1300



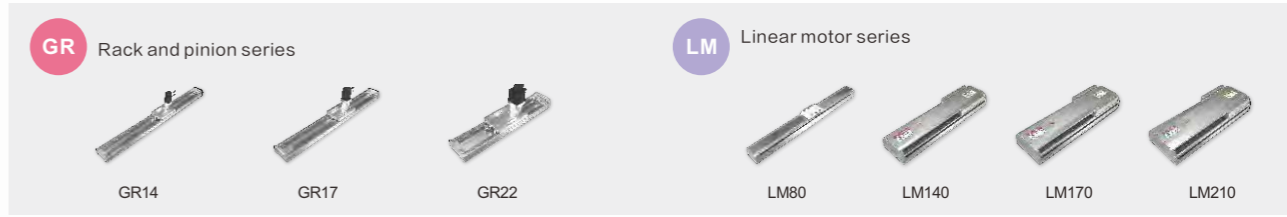
Model Specification	KCH14		KCH17		KCH22
Motor Output (W)	200	400	400	750	750
Repeatability (mm)	±0.005		±0.005		±0.005
Ball Screw Lead (mm)	5/10/20/32		5/10/20/40		5/10/25/32
Maximum speed (mm/s)	250/500/1000/1600		250/500/1000/2000		250/500/1250/1600
Maximum payload (kg)	Horizontal	95/75/35/15	110/88/40/30	120/110/75/22	120/120/83/43
	Vertical	27/18/7/-	33/22/10/8	40/30/14/7	50/40/25/12
Stroke (mm)	50-1050		50-1250		50-1500

Model Specification	RCB5	RCB8	RCB12	RCB15
Motor Output (W)	100	200	200	400
Repeatability (mm)	±0.04	±0.04	±0.04	±0.04
Ball Screw Lead (mm)	30/60	33/66	36/72	42/84
Maximum speed (mm/s)	1500/3000	1650/3300	1800/3600	2100/4200
Maximum payload (kg)	Horizontal	5	15	25
	Vertical	-	-	-
Stroke (mm)	50-850	50-1750	50-1750	50-1750



Model Specification	KCB14	KCB17	KCB22
Motor Output (W)	200	400	750
Repeatability (mm)	±0.04	±0.04	±0.04
Ball Screw Lead (mm)	40	40	40
Maximum speed (mm/s)	2000	2000	2000
Maximum payload (kg)	Horizontal	25	45
	Vertical	-	-
Stroke (mm)	50-3050	50-3050	50-3400

Model Specification	KKT50	KKT60	KKT86
Motor Output (W)	100	100	100/200
Repeatability (mm)	±0.01	±0.01	±0.01
Ball Screw Lead (mm)	2	5/10	10/20
Maximum speed (mm/s)	270	390/790	520/1050
load	Dynamic load rating(N)	1813	3377/2107
	Rated static load(N)	2910	5625/3234
Lehgth (mm)	150/200/250/300	150/200/300/400/500/600	340/440/540/640/740/940



Model Specification	GR14	GR17	GR22
Motor Output (W)	400	750	750
Repeatability (mm)	±0.04	±0.04	±0.04
Gearbox Ratio	3:1/5:1/7:1/10:1	3:1/5:1/7:1/10:1	3:1/5:1/7:1/10:1
Gear lead (mm)	33.32/19.99/14.28/10.00	48.87/29.32/20.94/14.66	48.87/29.32/20.94/14.66
Maximum speed (mm/s)	1665/1000/715/500	2443/1466/1047/733	1633/966/700/486
Maximum payload (kg)	Horizontal	30/40/64/88	31/63/83/102
	Vertical	8/10/18/22	9/18/25/33
Stroke (mm)	1000-3500	1000-3500	1000-3500

Model Specification	LM80	LM140			LM170			LM210			
Standard thrust	82	81	152	218	122	230	330	161	302	435	
Repeatability (mm)	MG±0.005/RG±0.003	MG±0.005/RG±0.003			MG±0.005/RG±0.003			MG±0.005/RG±0.003			
Maximum speed (mm/s)	4000	3000			3000			3000			
Thrust	Continuous thrust (N)	82	81	152	218	233	230	330	161	302	435
	Peak thrust (N)	256.7	265	534	791	417	840	1241	568	1146	1700
Stroke (mm)	100-1900	72-3816	82-3730	96-3648	72-5832	85-5746	96-5664	72-3816	82-3730	96-3648	

Lim-Tec[®]

Feb.25,2016 Lim-tec successfully landed on NEEQ with the code 836388, leading the new height of linear motion development in China.

Ever since 2005, Joint Venture Enterprise Lim-tec (Beijing) Transmission Equipment Co.,Ltd was set up by Limtec Group and Beijing Reloh International Trade Co., Ltd to introduce European most advanced linear motion technology and the concept of modular combination design, guide the new direction of development for domestic screw jack, electric actuator and slide industry.

Based in Beijing China, we have more than 10 offices distributed throughout the country to provide high-quality products, full range of technical support and prompt after-sales service at home and abroad.Up to now, there were more than 100000 sets of products successful used in automobile equipment, automation assembly, metallurgical industry,aerospace industry,port machinery and other industries.

Established automation assembly department in the year of 2008,Lim-tec has researched and developed six-DOF platform,servo pressure system, simulator and some other non-standard automation equipment.

With the gradual popularization of industry strategy 4.0 and the development of industry 5.0,green and sustainable products lead the tread in society.As the essential components supplier for industry automation robot,Lim-tec products will get considerable development.It's just a starting for Lim-tec second take-off on NEEQ,80 millions RMB have been re-invested to bring in advanced processing equipment and expand production capacity to more than 50 thousand sets per year,to build Lim-tec the world's most competitive and professional linear actuator/screw jack/servo actuator /electric slide manufacturing base.

