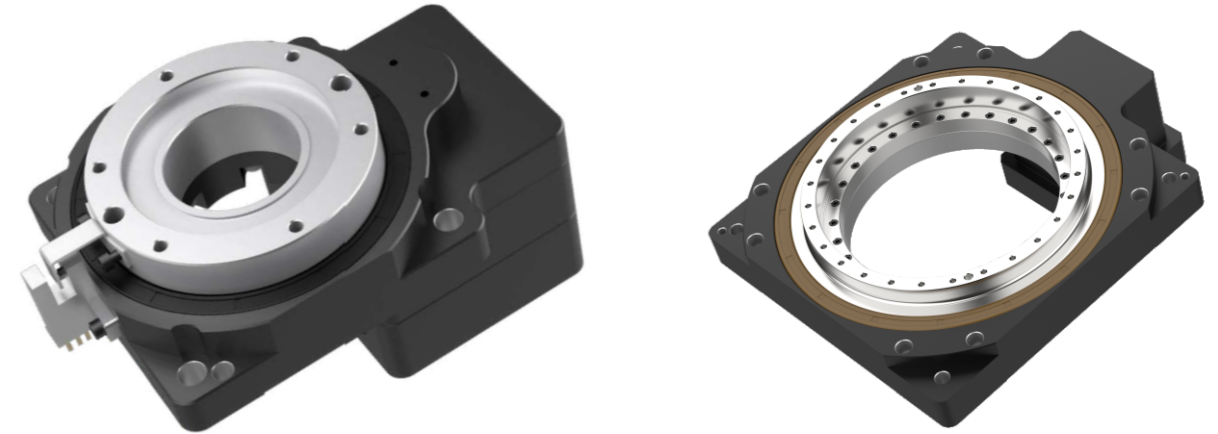


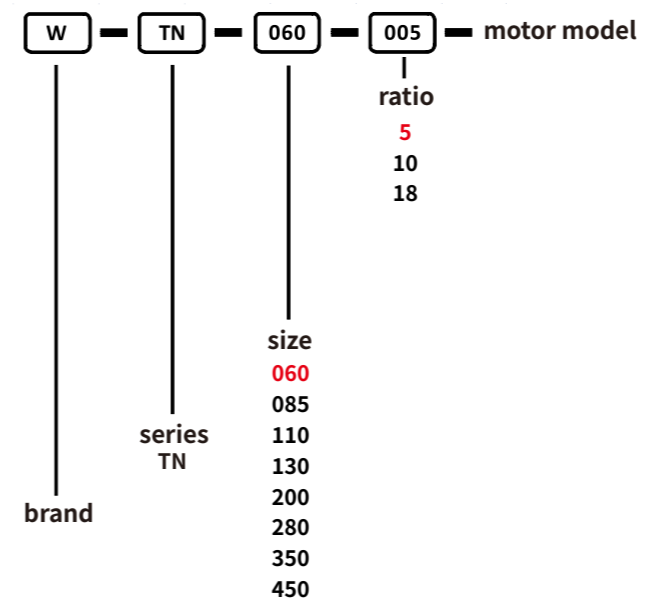
WTN Hollow Rotary Platform

FEATURES

- » Competitive price
- » Larger hollow hole, convenient for wiring and piping
- » Compact size, greater power density
- » Crossed roller bearing output, with greater load-bearing capacity



SELECTION



GENERAL NOTICES

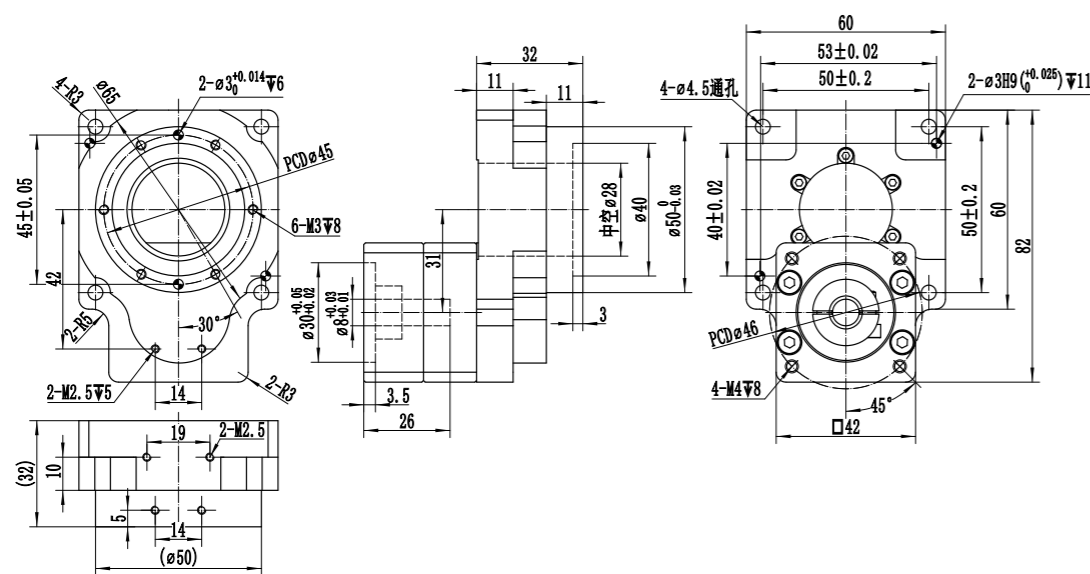
- Type, model and torque
- Ratio or output speed
- Working conditions and connection methods
- Quantity and installed machine name
- Input mode and input speed
- Motor brand model or flange and motor shaft size

WTN060 Heavy-load type

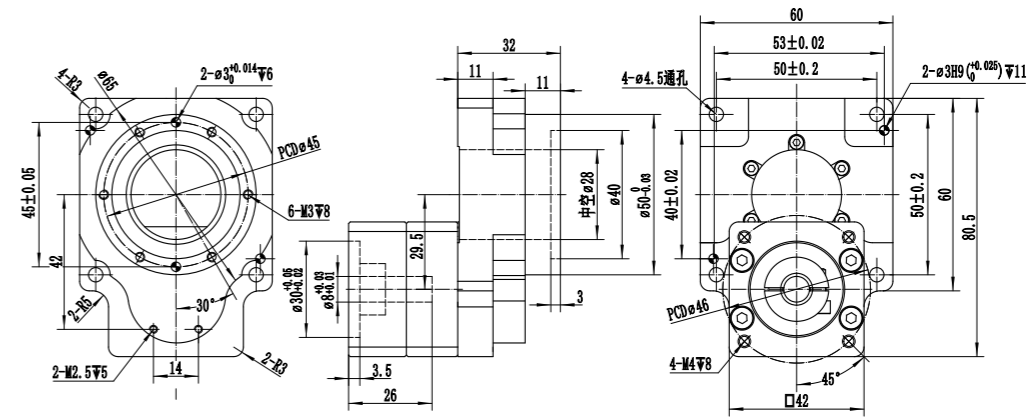
Performance

Specifications	Unit	WTN060	WTN060+WVRB042	WTN060+WRS042
Applicable motor models		42 stepper motor	50W~100W servo motor	motor shaft diameter ≤ 8mm
Bearing type		crossed roller bearing		
Ratio		5 10 18	25 40 50 70 100	15 30 50
Rotational inertia	Kg.m ²	3507x10 ⁻⁷		
Rated output torque	N·m	5.2 4.6 1.2	5.2	5.2
Rated output speed	rpm	300		
Angular transmission accuracy	arcmin	<2		
Reset positioning accuracy	arcsec	<15		
Backlash	arcmin	<1	<3	<3
Allowable axial load	N	250		
Allowable moment of inertia	N·m	5		
Parallelism of rotation platform	mm	0.015		
Concentricity of rotation platform	mm	0.01		
Output end face runout	mm	0.008		
Noise	dB	65	60	65
Service life	h	20000		
Protection level	IP	40		
Weight	Kg	0.6	1.2	1.3

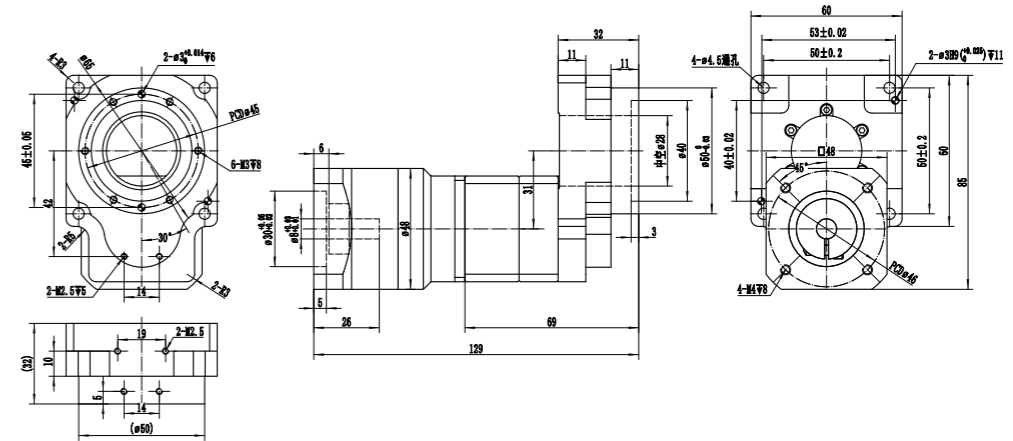
Ratio 5/10 dimension



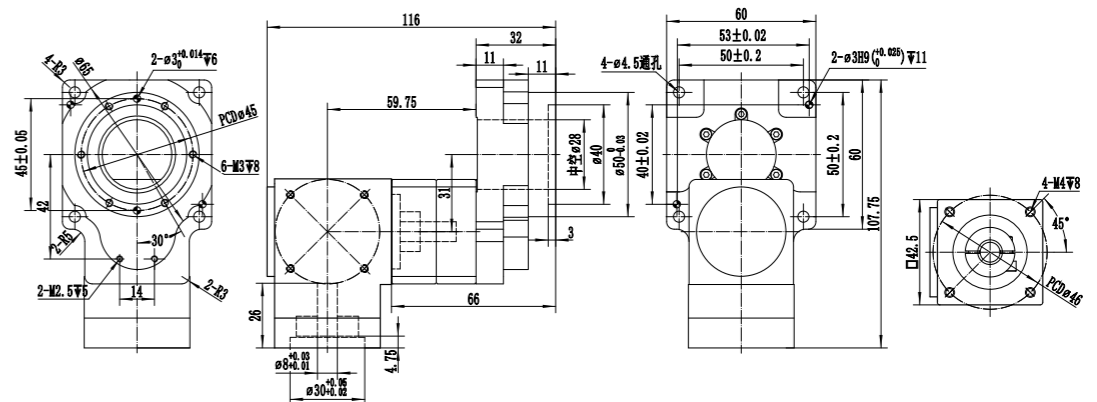
Ratio 18 dimension



Combined gearbox dimension



Combined right-angle gearbox dimension

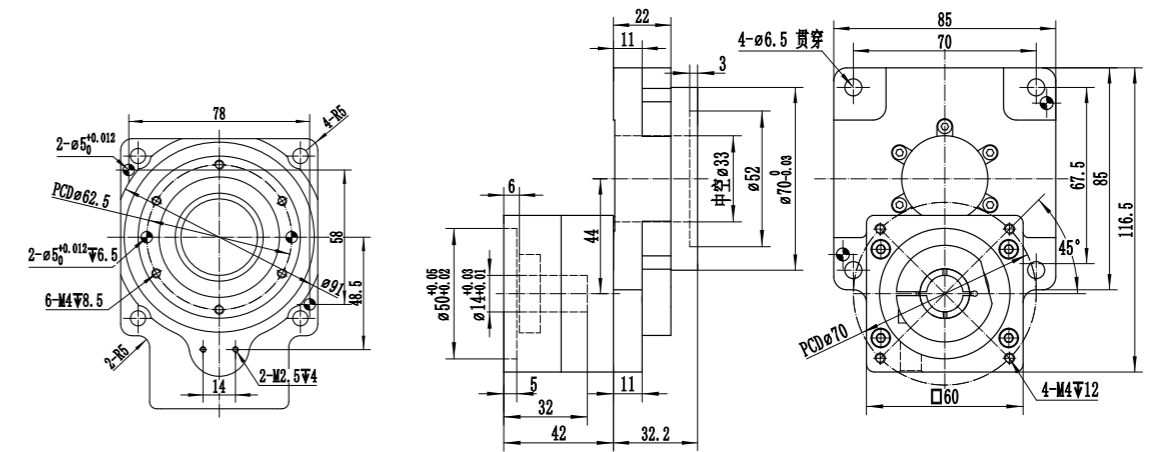


WTN085 Heavy-load type

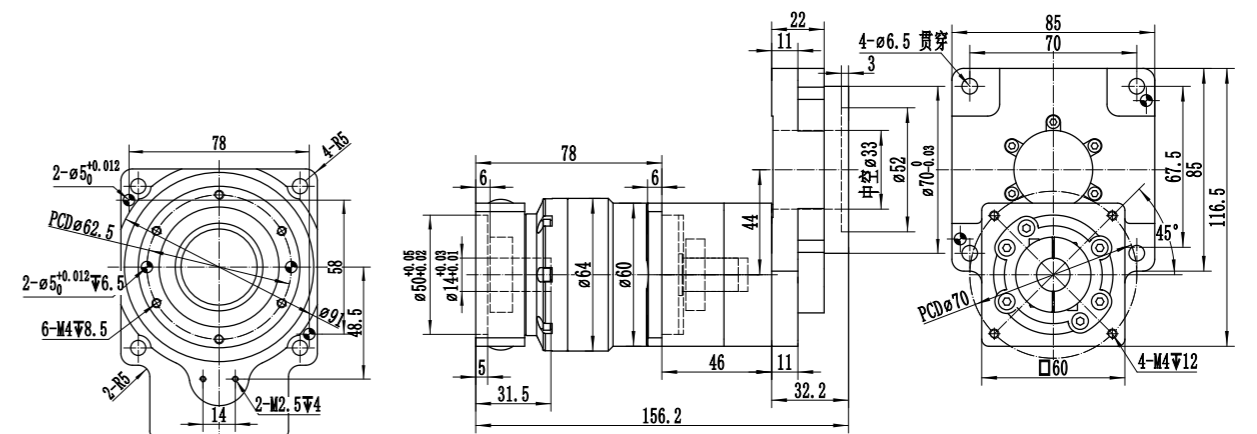
Performance

Specifications	Unit	WTN085	WTN085+WVRB060	WTN085+WRS060
Applicable motor models		57 stepper motor	200W~400W servo motor	motor shaft diameter≤14mm
Bearing type		crossed roller bearing		
Ratio		5 10	30 40 50 70 100	15 30 50
Rotational inertia	Kg.m ²	12593x10 ⁻⁷		
Rated output torque	N·m	12 10	12	12
Rated output speed	rpm	300		
Angular transmission accuracy	arcmin	<2		
Reset positioning accuracy	arcsec	<15		
Backlash	arcmin	<1	<2	<2
Allowable axial load	N	500		
Allowable moment of inertia	N·m	10		
Parallelism of rotation platform	mm	0.015		
Concentricity of rotation platform	mm	0.01		
Output end face runout	mm	0.008		
Noise	dB	65	60	65
Service life	h	20000		
Protection level	IP	40		
Weight	Kg	1.2	2.7	2.5

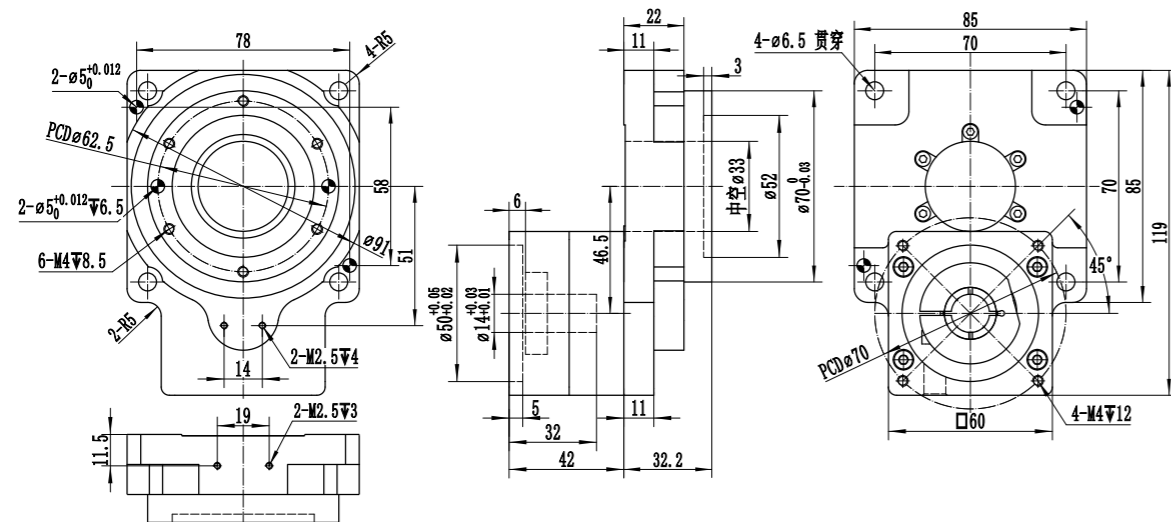
Ratio 10 dimension



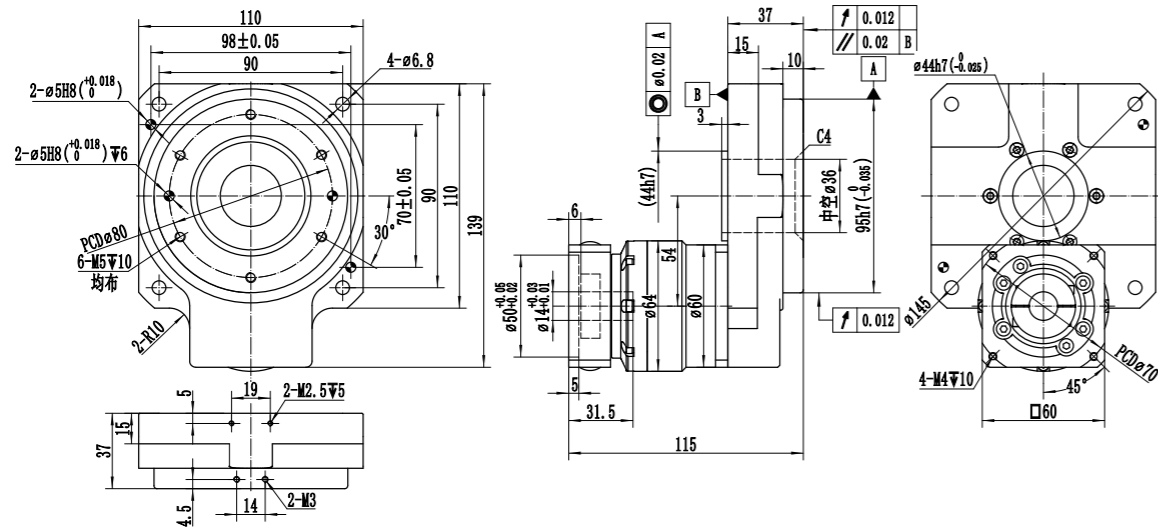
Combined gearbox dimension



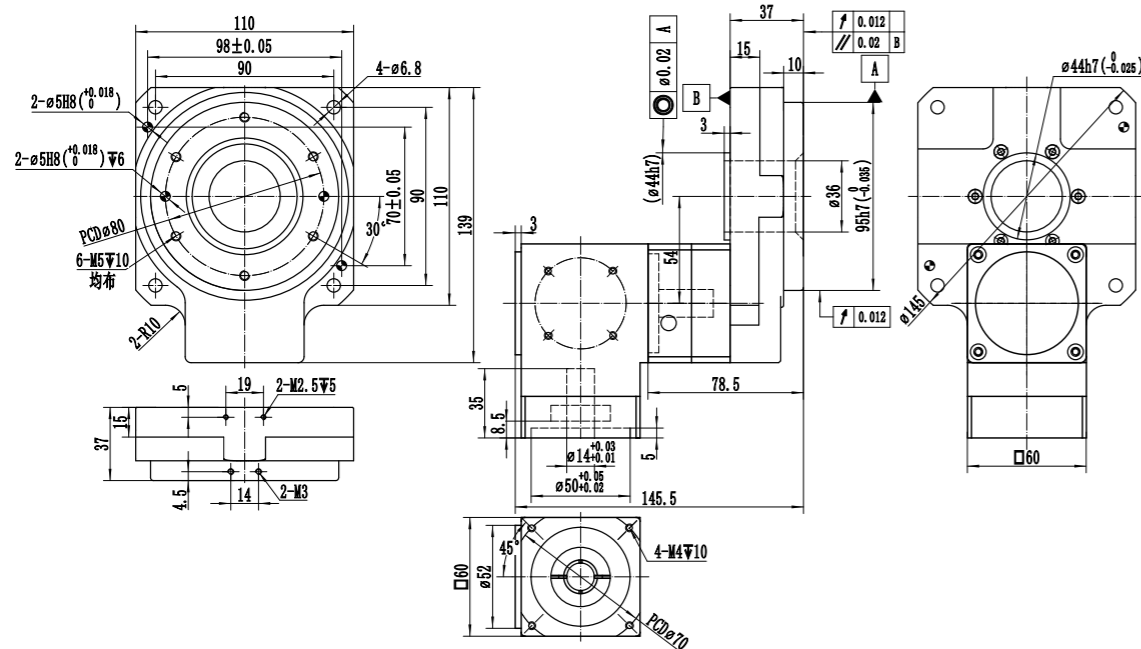
Ratio 5 dimension



Combined gearbox dimension



Combined right-angle gearbox dimension

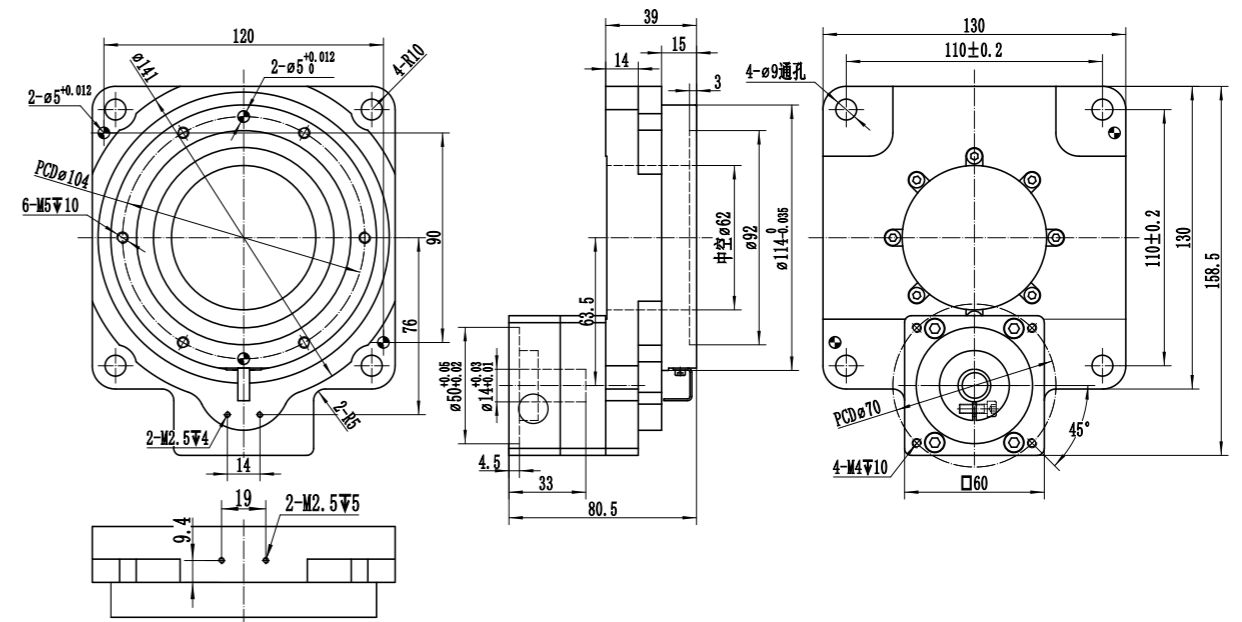


WTN130 Heavy-load type

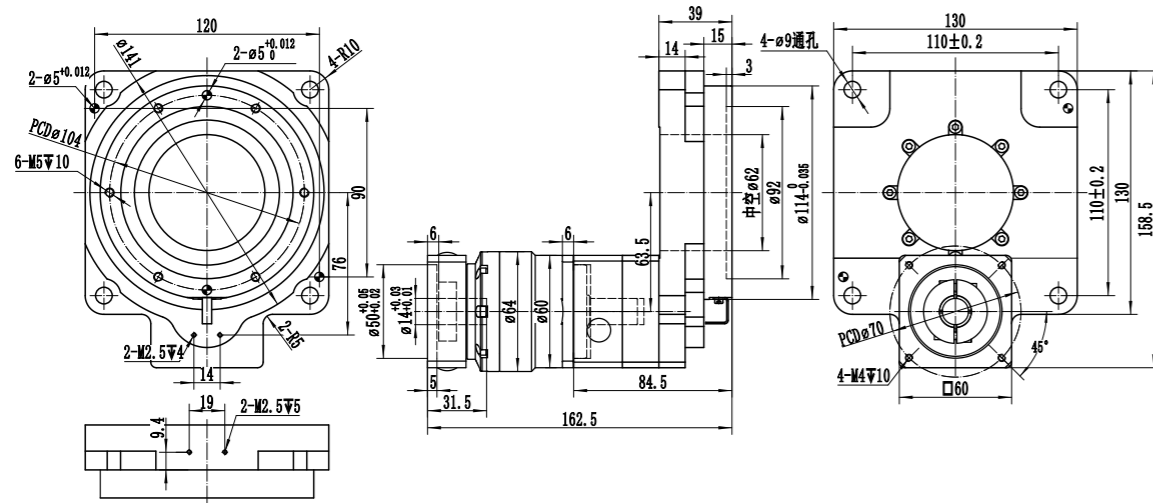
Performance

Specifications	Unit	WTN130	WTN130+WVRB060	WTN130+WRS060
Applicable motor models		57 stepper motor	200W~400W servo motor	motor shaft diameter ≤ 14mm
Bearing type		crossed roller bearing		
Ratio		10 18	30 40 50 70 100	10 30 50
Rotational inertia	Kg.m ²	8155x10 ⁻⁶		
Rated output torque	N·m	32 20	32	32
Rated output speed	rpm	200		
Angular transmission accuracy	arcmin	<1.5		
Reset positioning accuracy	arcsec	<15		
Backlash	arcmin	<1	<2	<2
Allowable axial load	N	2000		
Allowable moment of inertia	N·m	50		
Parallelism of rotation platform	mm	0.02		
Concentricity of rotation platform	mm	0.012		
Output end face runout	mm	0.012		
Noise	dB	65	60	65
Service life	h	20000		
Protection level	IP	40		
Weight	Kg	2.8	4.3	4.1

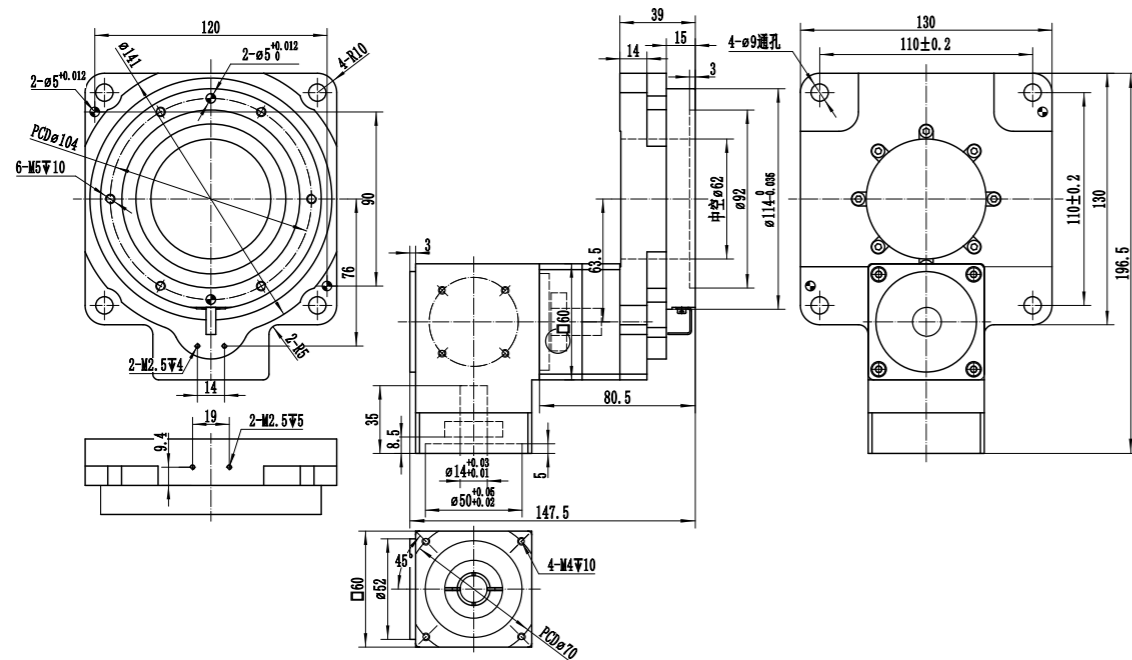
Ratio 10/18 dimension



Combined gearbox dimension



Combined right-angle gearbox dimension

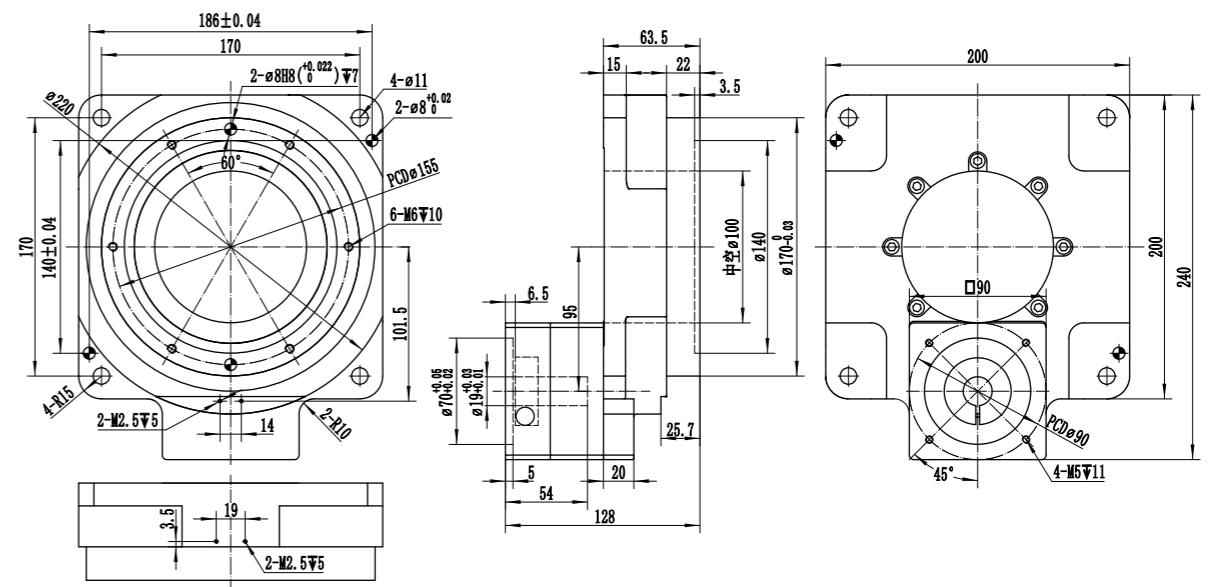


WTN200 Heavy-load type

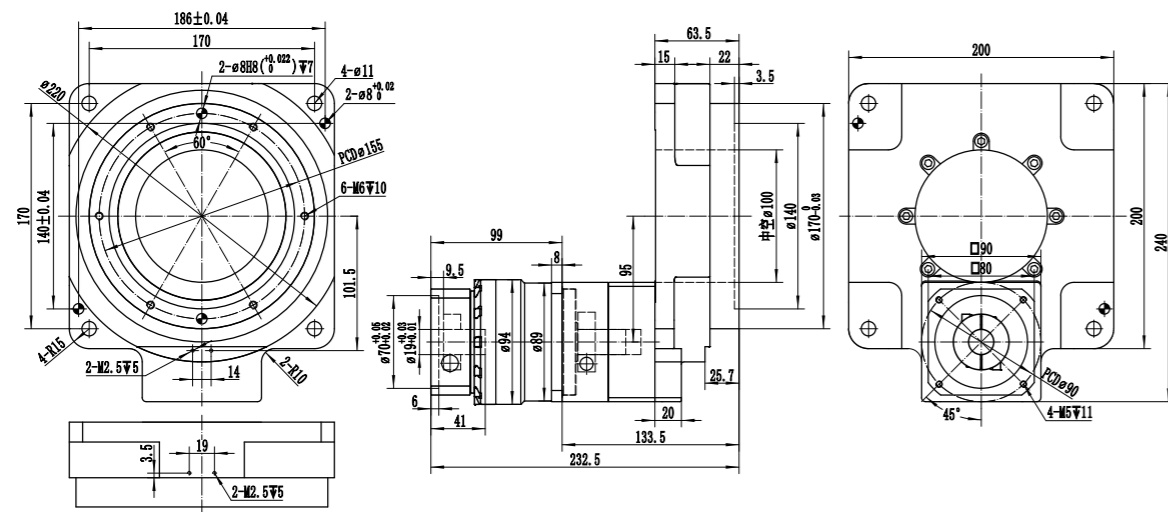
Performance

Specifications	Unit	WTN200	WTN200+WVRB090	WTN200+WRS090
Applicable motor models		86 stepper motor	750W servo motor	motor shaft diameter ≤ 19mm
Bearing type		crossed roller bearing		
Ratio		10 18	30 40 50 70 100	10 30 50
Rotational inertia	Kg.m ²	36122x10-6		
Rated output torque	N·m	70 70	70	70
Rated output speed	rpm	200		
Angular transmission accuracy	arcmin	<1		
Reset positioning accuracy	arcsec	<10		
Backlash	arcmin	<1	<2	<2
Allowable axial load	N	4000		
Allowable moment of inertia	N·m	100		
Parallelism of rotation platform	mm	0.02		
Concentricity of rotation platform	mm	0.012		
Output end face runout	mm	0.012		
Noise	dB	67	62	67
Service life	h	20000		
Protection level	IP	40		
Weight	Kg	9.6	13.3	13.7

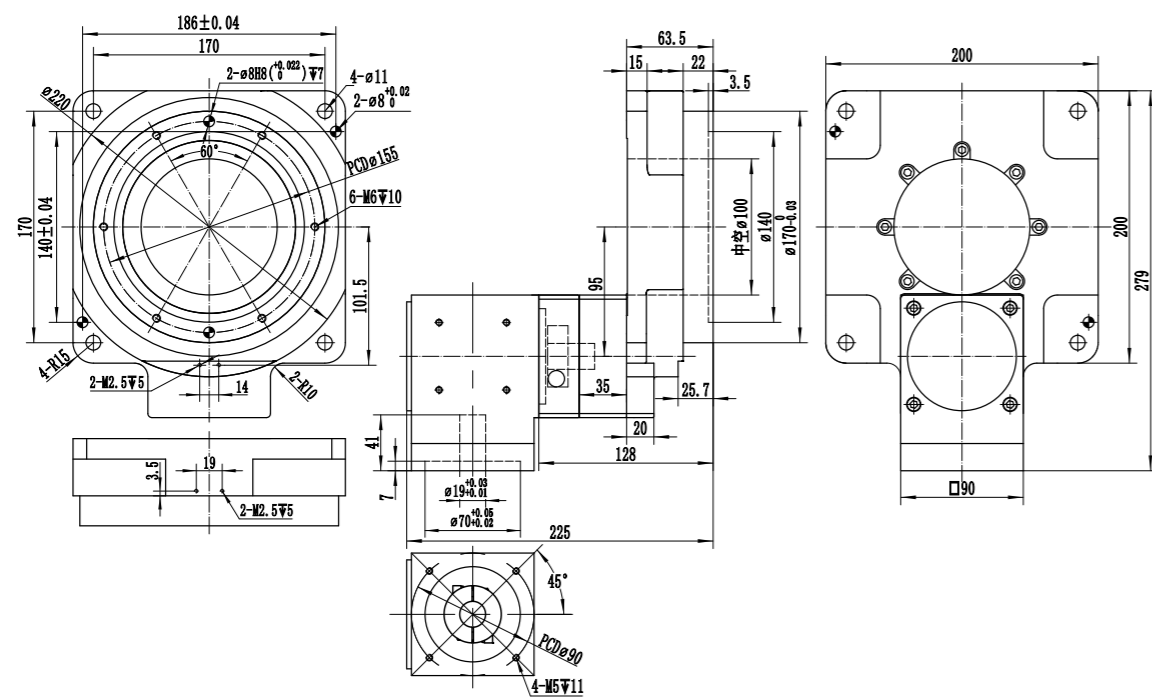
Ratio 10/18 dimension



Combined gearbox dimension



Combined right-angle gearbox dimension

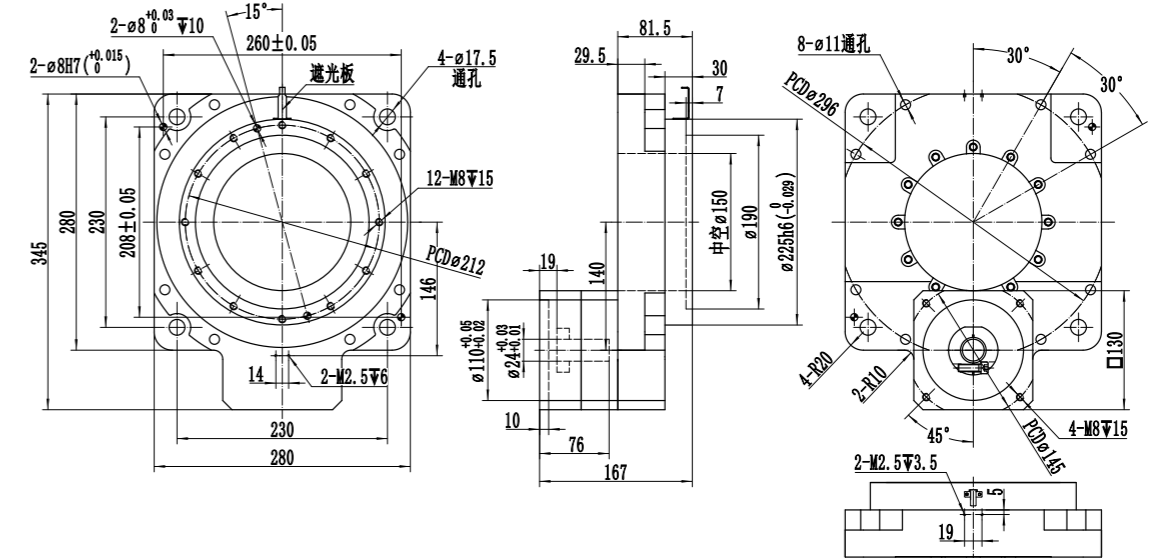


WTN280 Heavy-load type

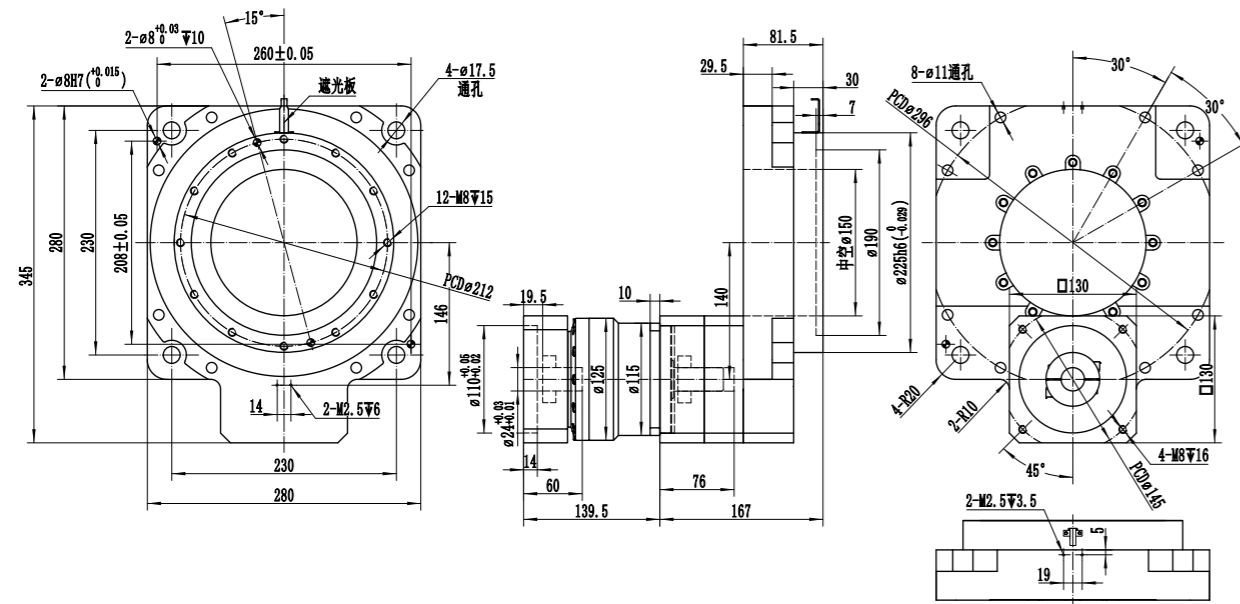
Performance

Specifications	Unit	WTN280	WTN280+WVRB115
Applicable motor models		110/130 stepper motor	1000W~3000W servo motor motor shaft diameter≤24mm
Bearing type			crossed roller bearing
Ratio		10	30 40 50 70 100
Rotational inertia	Kg.m ²		14600x10-5
Rated output torque	N·m	180	180
Emergency stop Torque T2NOT	rpm		Rated output torque
Rated output speed	rpm		200
Angular transmission accuracy	arcmin		<1
Reset positioning accuracy	arcsec		<10
Backlash	arcmin	<1	<2
Allowable axial load	N		7000
Allowable moment of inertia	N·m		200
Parallelism of rotation platform	mm		0.030
Concentricity of rotation platform	mm		0.015
Output end face runout	mm		0.015
Noise	dB	71	65
Service life	h		20000
Protection level	IP		40
Weight	Kg	18	25.8

Ratio 10 dimension



Combined gearbox dimension

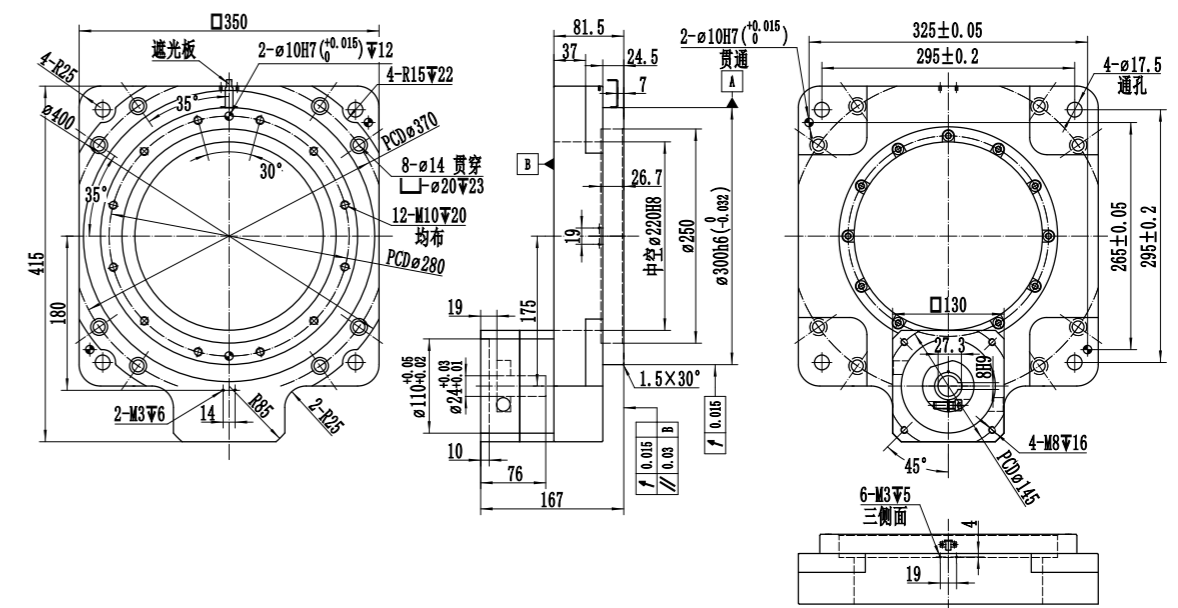


WTN350 Heavy-load type

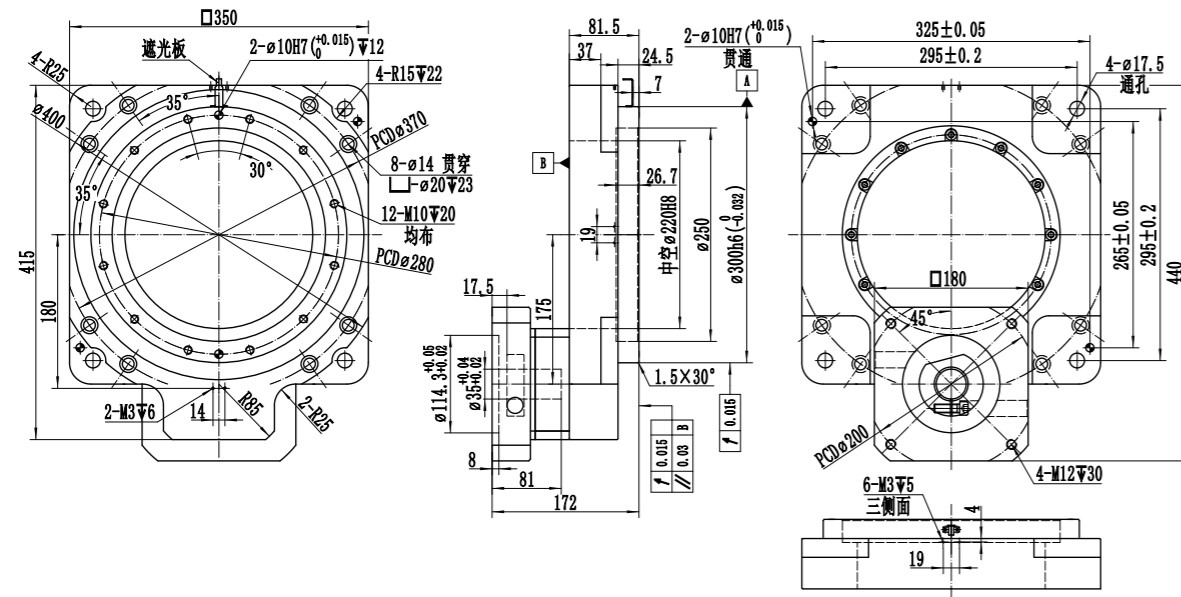
Performance

Specifications	Unit	WTN350	WTN350+WVRB115
Applicable motor models		130 stepper motor	1000W~3000W servo motor motor shaft diameter ≤35mm
Bearing type			crossed roller bearing
Ratio		10 18	30 40 50 70 100
Rotational inertia	Kg.m ²		25500X10-5
Rated output torque	N·m	320 260	320
Emergency stop Torque T2NOT	rpm		Rated output torque
Rated output speed	rpm		150
Angular transmission accuracy	arcmin		<1
Reset positioning accuracy	arcsec		<10
Backlash	arcmin	<1	<1.5
Allowable axial load	N		9000
Allowable moment of inertia	N·m		300
Parallelism of rotation platform	mm		0.03
Concentricity of rotation platform	mm		0.015
Output end face runout	mm		0.015
Noise	dB	73	66
Service life	h		20000
Protection level	IP		40
Weight	Kg	25.5	33.3

Ratio 10/18 dimension(motor shaft OD 24mm)



Ratio 10/18 dimension(motor shaft OD 35mm)

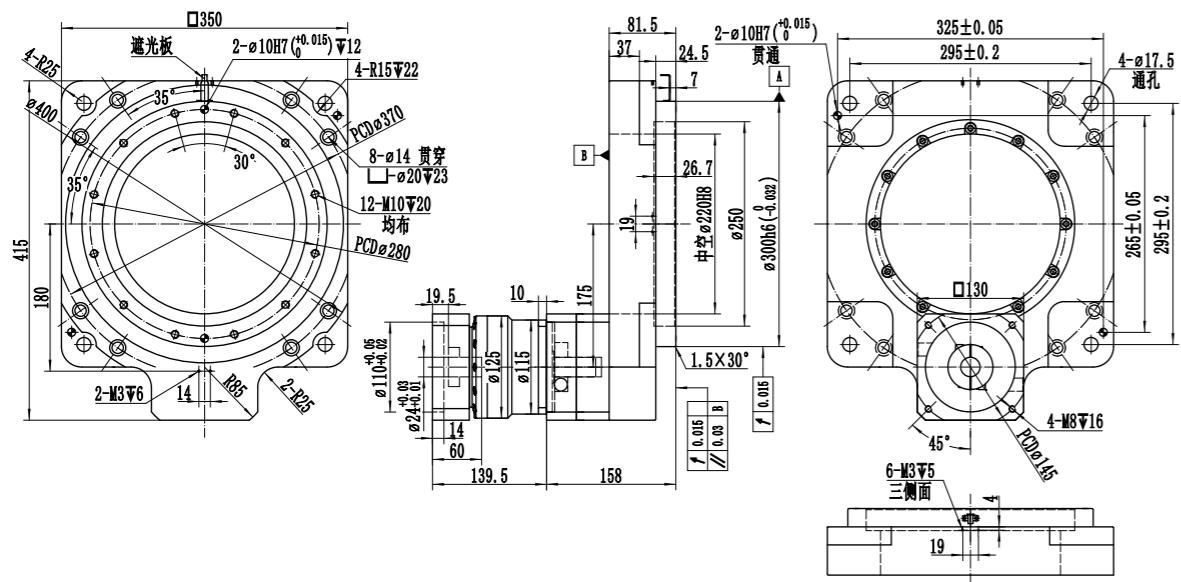


WTN450 Heavy-load type

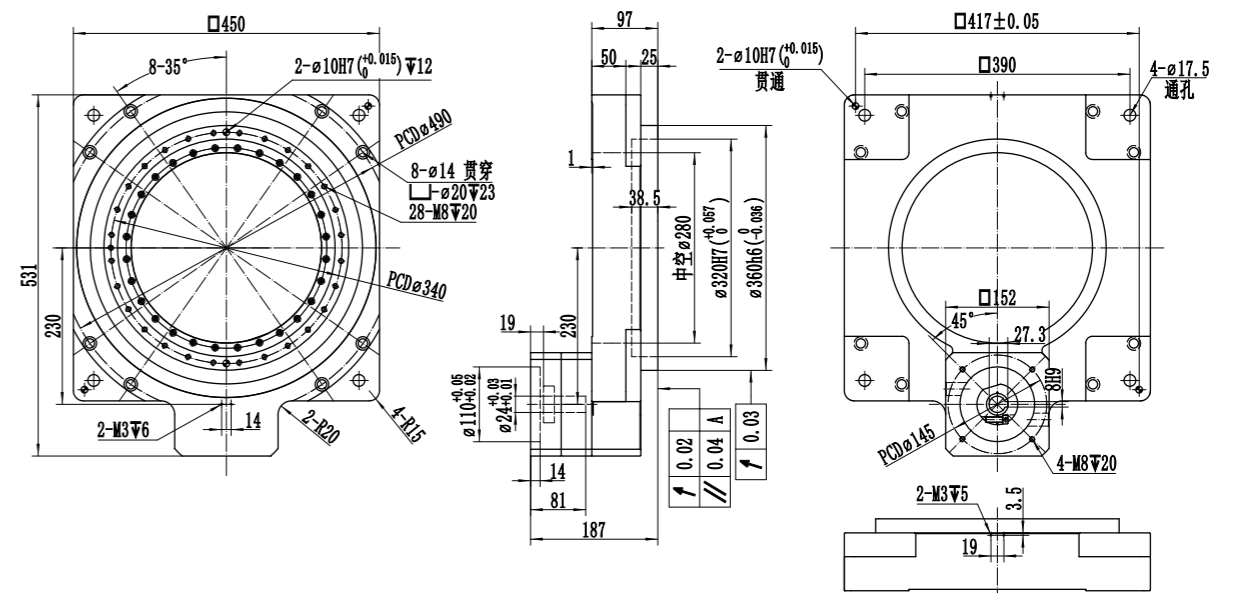
Performance

Specifications	Unit	WTN450	WTN450+WVRB115
Applicable motor models		130 stepper motor	1000W-5500W servo motor motor shaft diameter≤38mm
Bearing type		crossed roller bearing	
Ratio		10	30 40 50 70 100
Rotational inertia	Kg.m ²		80500X10-5
Rated output torque	N·m	400	400
Emergency stop Torque T2NOT	rpm		Rated output torque
Rated output speed	rpm		150
Angular transmission accuracy	arcmin		<1
Reset positioning accuracy	arcsec		<10
Backlash	arcmin	<1	<1.5
Allowable axial load	N		11000
Allowable moment of inertia	N·m		400
Parallelism of rotation platform	mm		0.040
Concentricity of rotation platform	mm		0.02
Output end face runout	mm		0.02
Noise	dB	75	66
Service life	h		20000
Protection level	IP		40
Weight	Kg	49	56.8

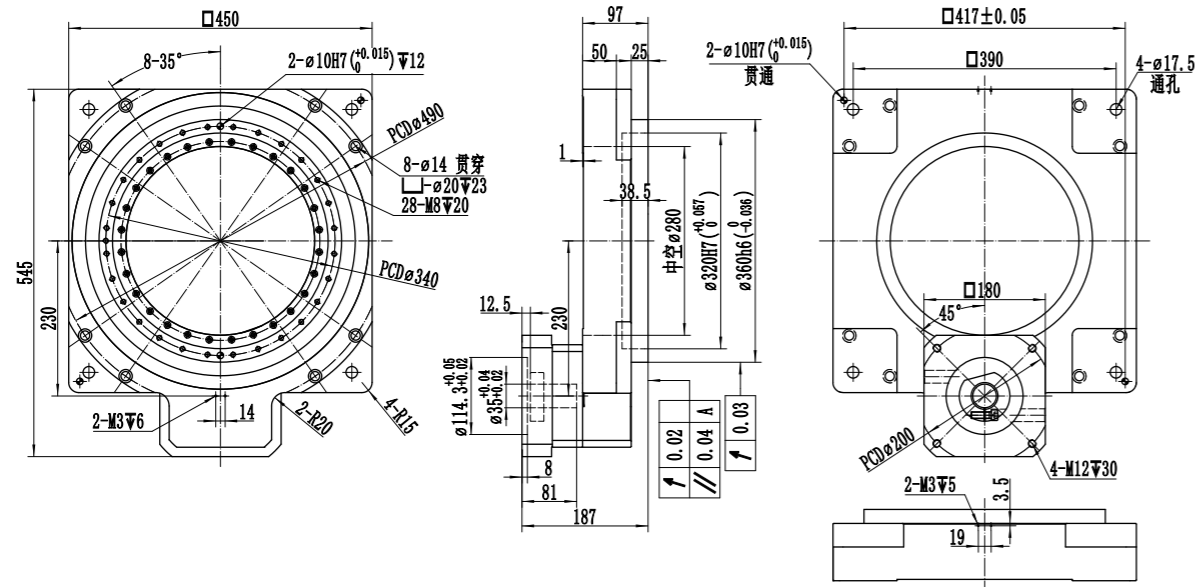
Combined gearbox dimension



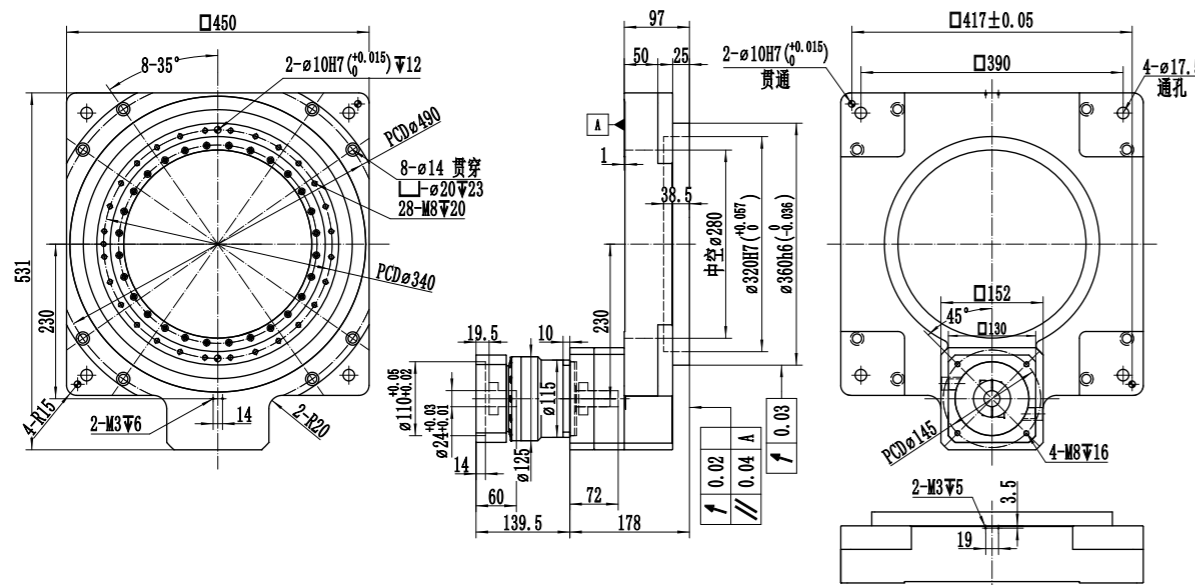
Dimension(motor shaft OD 24mm)



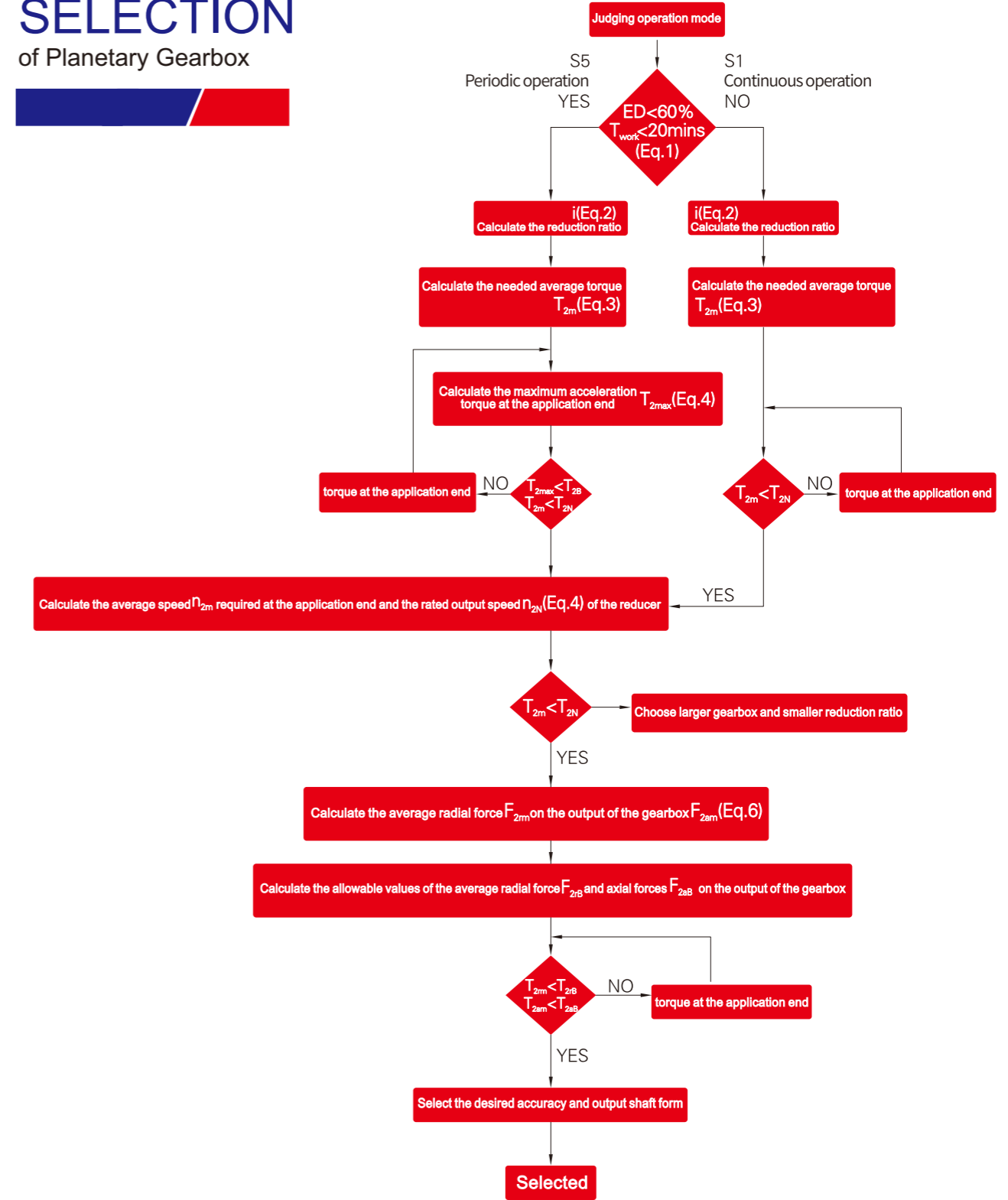
Dimension(motor shaft OD 35mm)



Combined gearbox dimension



SELECTION of Planetary Gearbox



WANSHSIN Seikou(Hunan)Co., Ltd.

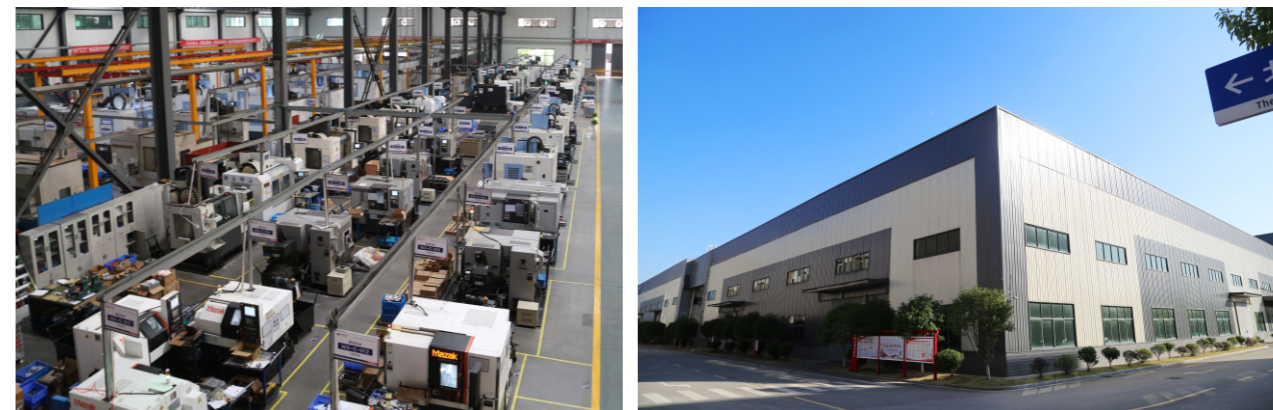


WANSHSIN is a professional gearbox, gear motor and inverter manufacturer and intelligent automation complete solution provider, integrating R&D, production, sales and service. The products cover the light and heavy industry, are widely used in new energy, robots, automobile manufacturing, warehousing, logistics, food industry and other industries. WANSHSIN has gradually become a reliable long-term partner of those leading enterprises of relevant industries.

Enterprise Honor

2019	2020	2022
<ul style="list-style-type: none"> National high-tech enterprise 	<ul style="list-style-type: none"> Ministry of Industry and Information Technology of the People's Republic of China "specialized, special and new" key small giant enterprise Hunan Enterprise Technology Center 	<ul style="list-style-type: none"> 2022 Hunan Reducer Engineering Technology Research Center 2022 The 2nd Ningxiang Mayor Quality Award(Organization)

Core Competitiveness



Leading R&D Capability

Three major R&D centers have been established to lead the industry's high-quality development with innovation.

Excellent Quality

We are the pioneer in introducing and launching the advanced automotive industry quality control standards pre-planning of product quality and have equipped with a large number of imported international advanced inspection/testing equipment to ensure product quality.

Advanced Manufacturing

We have hundreds of domestic advanced processing equipment with a total value of more than 100 million yuan, and our capacity is in a leading position in China.

Fast Delivery

Sufficient spare parts in warehouse to ensure very short lead time.