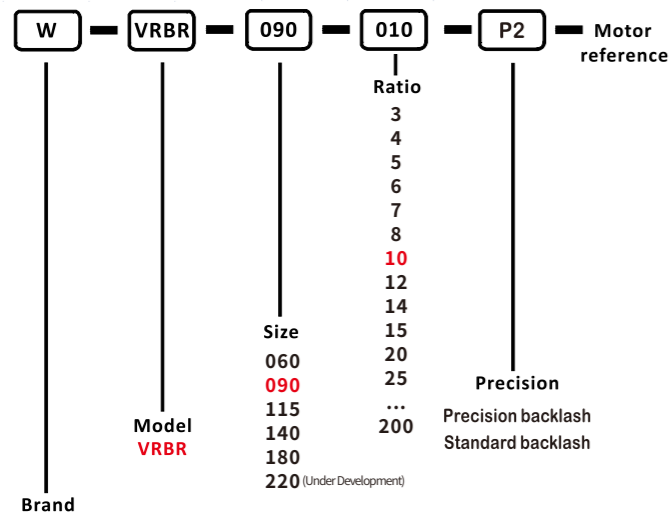


SELECTION



GENERAL NOTICES

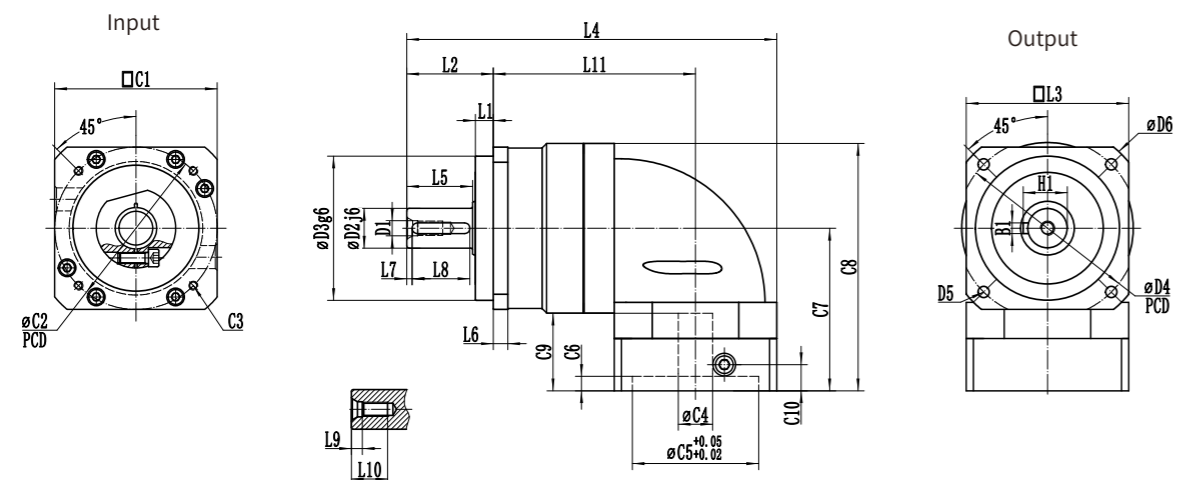
- Type, model and torque
- Ratio or output speed
- Working conditions and connection methods
- Quantity and installed machine name
- Input mode and input speed
- Motor brand model or flange and motor shaft size

Performance

Specification	Unit	Stage	Ratio	WRBR060	WRBR090	WRBR115	WRBR140	WRBR180	WRBR220
Rated output torque T_{2N}	Nm	1	3	55	130	208	342	588	-
			4	50	140	290	540	1050	-
			5	60	160	330	650	1200	-
			6	55	150	310	600	1100	-
			7	50	140	300	550	1100	-
			8	50	140	290	542	1050	-
			10	60	160	330	650	1200	-
			12	55	150	310	600	1100	-
			14	50	140	300	550	1100	-
			20	40	100	230	450	900	-
		2	15	55	130	208	342	588	-
			25	60	160	330	650	1200	-
			30	55	130	208	342	588	-
			35	50	140	300	550	1100	-
			40	50	140	290	542	1050	-
			50	60	160	330	650	1200	-
			60	55	150	310	600	1100	-
			70	50	140	300	550	1100	-
			80	50	140	290	542	1050	-
			100	60	160	330	650	1200	-
Emergency stop torque T_{2NOT}	Nm	1,2	3~200	Triple rated output torque					
		1,2	3~200	5000	4000	4000	3000	3000	-
Rated input speed n_{1N}	rpm	1,2	3~200	10000	8000	8000	6000	6000	-
Maximum iutput speed n_{1B}	rpm	1,2	3~200	10000	8000	8000	6000	6000	-
Precision backlash P_1	arcmin	1	3~20	≤5	≤5	≤5	≤5	≤5	-
		2	15~200	≤7	≤7	≤7	≤7	≤7	-
Standard backlash P_2	arcmin	1	3~20	≤7	≤7	≤7	≤7	≤7	-
		2	15~200	≤10	≤10	≤10	≤10	≤10	-
Torsional rigidity	Nm/arcmin	1,2	3~200	7	14	25	50	145	-
Allowable radial force F_{2aB}	N	1,2	3~200	1530	3250	6700	9400	14500	-
Allowable axial force F_{2aB}	N	1,2	3~200	765	1625	3350	4700	7250	-
Lifespan	hr	1,2	3~200	20000					
		1	3~20	95%					
Efficiency	%	2	25~200	92%					
		1	3~20	2.1	6.4	13	24.5	51	-
Weight	kg	2	25~200	1.5	7.8	14.2	27.5	54	-
		1,2	3~200	-20°C~+40°C					
Use of temperature	°C	1,2	3~200	Synthetic lubricating grease					
Lubricating				IP65					
IP Grade		1,2	3~200	In any direction					
Installation direction				In any direction					
Noise level (n1=3000, off load)	dB(A)	1,2	3~200	≤63	≤65	≤68	≤70	≤72	-

Rotational inertia

Specification	Unit	Stage	Ratio	WRBR060	WRBR090	WRBR115	WRBR140	WRBR180	WRBR220
Rotational inertia J_1	kg.cm ²	1	3~10	0.35	2.25	6.84	23.4	68.9	-
			12~14	0.07	1.87	6.25	21.8	65.6	-
			20	0.07	1.87	6.25	21.8	65.6	-
		2	15	0.35	2.25	6.84	23.4	68.9	-
			25~100	0.09	0.35	2.25	6.84	23.4	-
			120~200	0.01	0.31	1.87	6.25	21.8	-

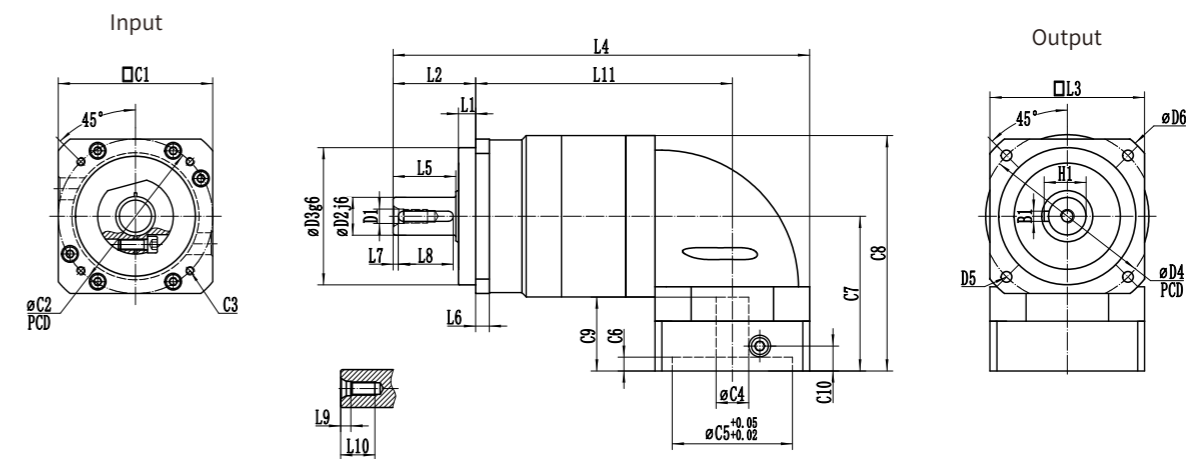


DIMENSION

DOUBLE SECTION

Dimension(single stage,Ratio i=3~20)

Dimension	WVRBR060	WVRBR090	WVRBR115	WVRBR140	WVRBR180	WVRBR220
D1	M5	M8	M12	M16	M20	-
D2j6	16	22	32	40	55	-
D3g6	50	80	110	130	160	-
D4	70	100	130	165	215	-
D5	4-5.5	4-6.6	4-9	4-11	4-13.5	-
D6	80	116	152	185	240	-
L1	7	10	7	13	20	-
L2	37	48	60	95	105	-
L3	60	90	115	140	180	-
L4	152.2	205	259	347	394	-
L5	28.5	36.5	51	79	82	-
L6	6	8	10	12	15	-
L7	2	3	5	5	6	-
L8	25	32	40	63	70	-
L9	4	6	10	12	11.5	-
L10	13	20	28	36	42	-
L11	85.2	112	141.5	181	199	-
C1	60	90	130	180	180	-
C2	70	90	145	200	200	-
C3	4-M4	4-M5	4-M8	4-M12	4-M12	-
C4	14	19	24	35	42	-
C5	50	70	110	114.3	114.3	-
C6	5	8	14	19	15	-
C7	71.9	90.1	126.5	162.5	195.5	-
C8	103.9	137.1	189	237.5	295.5	-
C9	35	43	71	86	119	-
C10	11.5	14.5	27	32	65	-
B1	5	6	10	12	16	-
H1	18	24.5	35	43	59	-



DIMENSION

DOUBLE SECTION

Dimension(double stage,Ratio i=15~200)

Dimension	WVRBR060	WVRBR090	WVRBR115	WVRBR140	WVRBR180	WVRBR220
D1	M5	M8	M12	M16	M20	-
D2j6	16	22	32	40	55	-
D3g6	50	80	110	130	160	-
D4	70	100	130	165	215	-
D5	4-5.5	4-6.6	4-9	4-11	4-13.5	-
D6	80	116	152	185	240	-
L1	7	10	7	13	20	-
L2	37	48	60	95	105	-
L3	60	90	115	140	180	-
L4	184.2	242.5	304	408	431.5	-
L5	28.5	36.5	51	79	82	-
L6	6	8	10	12	15	-
L7	2	3	5	5	6	-
L8	25	32	40	63	70	-
L9	4	6	10	12	11.5	-
L10	13	20	28	36	42	-
L11	117.2	149.5	186.5	242	236.5	-
C1	60	90	130	180	180	-
C2	70	90	145	200	200	-
C3	4-M4	4-M5	4-M8	4-M12	4-M12	-
C4	14	19	24	35	42	-
C5	50	70	110	114.3	114.3	-
C6	5	8	14	19	15	-
C7	71.9	90.1	126.5	162.5	195.5	-
C8	103.9	137.1	189	237.5	295.5	-
C9	35	43	71	86	119	-
C10	11.6	14.5	27	32	65	-
B1	5	6	10	12	16	-
H1	18	24.5	35	43	59	-

WANSHSIN Seikou(Hunan)Co., Ltd.



WANSHSIN is a professional gearbox, gear motor and inverter manufacturer and intelligent automation complete solution provider, integrating R&D, production, sales and service. The products cover the light and heavy industry, are widely used in new energy, robots, automobile manufacturing, warehousing, logistics, food industry and other industries. WANSHSIN has gradually become a reliable long-term partner of those leading enterprises of relevant industries.

Enterprise Honor

2019	2020	2022
<ul style="list-style-type: none"> National high-tech enterprise 	<ul style="list-style-type: none"> Ministry of Industry and Information Technology of the People's Republic of China "specialized, special and new" key small giant enterprise Hunan Enterprise Technology Center 	<ul style="list-style-type: none"> 2022 Hunan Reducer Engineering Technology Research Center 2022 The 2nd Ningxiang Mayor Quality Award(Organization)

Core Competitiveness



Leading R&D Capability

Three major R&D centers have been established to lead the industry's high-quality development with innovation.

Excellent Quality

We are the pioneer in introducing and launching the advanced automotive industry quality control standards pre-planning of product quality and have equipped with a large number of imported international advanced inspection/testing equipment to ensure product quality.

Advanced Manufacturing

We have hundreds of domestic advanced processing equipment with a total value of more than 100 million yuan, and our capacity is in a leading position in China.

Fast Delivery

Sufficient spare parts in warehouse to ensure very short lead time.